



***NU125 AIR EXCHANGER OPERATING AND
INSTALLATION MANUAL***

Installation Guidelines

FEATURES

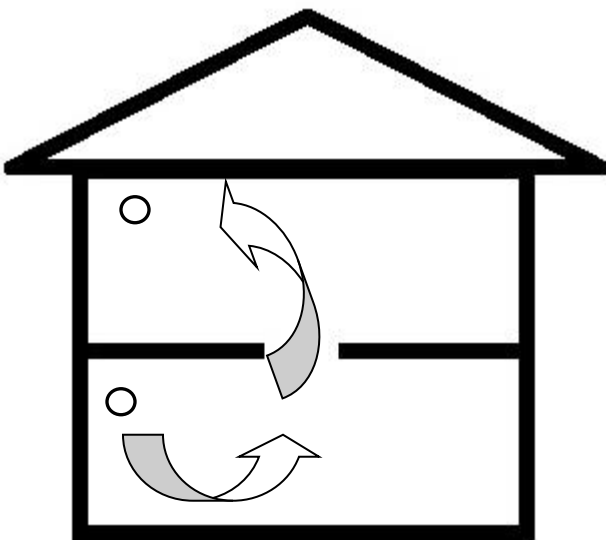
- Can be mounted in the attic, basement, or any crawl space
- Built in speed control for variable, continuous ventilation
- Optional built in or remote dehumidistat/2-wire remote high speed switch (24 VAC)
- Polyester Filter
- 3 year warranty on all components
- Single point electrical connection to standard receptacle

Recommendations for a successful installation.

- **There must be at least one (1) supply and one (1) exhaust duct per installation. Supply and exhaust grills should be separated as much as possible.**
- **DO NOT ventilate a garage or crawl space or rooms containing sources of combustion or noxious gases with the rest of the home.**
- **DO NOT use this appliance in the place of bathroom fans or exhaust range hoods.**
- **ALWAYS consult local building codes for use and installation.**

A. LOCATION and DUCT PLANNING

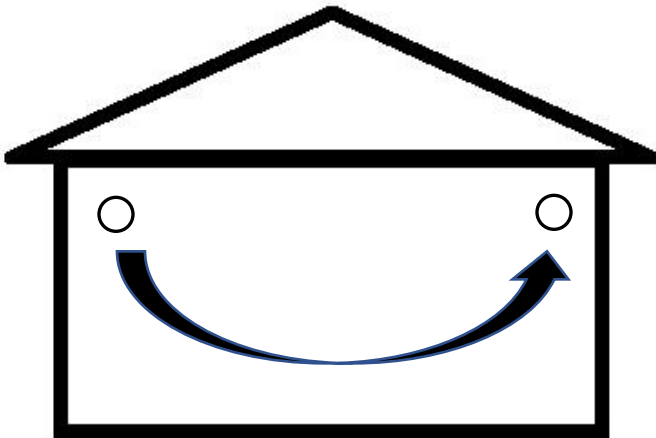
- Choose a site to install the unit which will minimize the use of insulated and non-insulated flex.
- Locate supply and exhaust as far apart as possible from each other.
- Leave clearance around the unit for maintenance.
- Locate unit within 3 feet of an electrical outlet.
- Avoid locating unit in, above or below quiet rooms (bedroom, living room)



Homes with more than one level:

- Locate intake grill on the highest lived-in level.
- Locate supply grill on the lowest lived-in level.

Open floor registers can be considered if home construction is such that floor levels are typically “closed” by doors.



Homes with one level:

- Locate intake grill in a central, open and lived-in area.
- Locate supply grill in a hallway, away from main living space.

INSTALLATION IN ATTIC OR COLD SPACE

Special considerations are needed when the air exchanger is located in an attic.

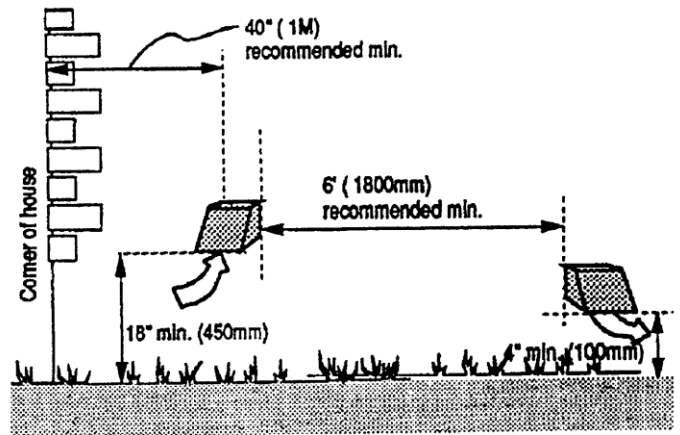
- All ducts in unheated areas shall be insulated.
- All connections through ceilings must be sealed with vapour barrier.
- Ducting should be installed before attic insulation such that the insulation covers the duct and unit as local code requires.
- An access door must be available for servicing the air exchanger.

B. LOCATING HOODS/INSTALLTION

Locate the hoods for easy access to the bird screen for cleaning purposes. There should be a minimum of 6’ (feet) of separation between the fresh air and exhaust hoods. Supply hoods should be a minimum of 18” (inches) above the ground level. Exhaust hoods should be at least 4” (inches) above the ground level. Holes through the wall should be 1” larger than the collar on the hood, to allow for insulation.

In addition ASHRAE Standard 62-99 recommends the following. Ventilation systems should be designed to prevent the reintroduction of exhaust contaminants, condensation or freeze-ups and growth of microorganisms. Contaminants from sources such as cooling towers, sanitary vents, vehicular exhaust, and street traffic should be avoided.

Consult local code requirements for minimum distances.



1. Slide insulated flex duct over the sleeve of the weather hood.
2. Use sheathing tape (red) to join the inner duct to the hood's sleeve.
3. Tape the **vapour** barrier to back of the hood without compressing the insulation.
4. Caulk or foam seal around the collars and hoods to eliminate air and water leaks.
5. Be sure to use exterior sealant along the top and side edges of the hoods, tooling the sealant to ensure a good seal.

C. MOUNTING THE UNIT (Note: your unit might appear different from the unit depicted in these instructions)

Hanging Straps Installation Notes

Hanging kit includes:	
DESCRIPTION	Qty
Hanger strap webbing, polypropylene #37 25mm	4
Screws - 10-24 x 1/2 Machine screw	4
Washer - Flat 3/16"	8

NOTE: Support unit and gently lift as you tighten each strap.

Step 1: Insert the mounting screws through the washers and hanging strap grommets then fasten to the mounting surface.

Step 2: Insert the machine screws through the washers and bottom grommets of the straps then fasten to the unit.

Step 3: Pull down vertically on each strap while lifting the bottom of the unit. Level the unit from right to left and front to back.

Note: Lift the buckle up to loosen the strap for adjustment

Rev. 1 August 2016

D. FINISHING

1. Connect the air exchanger to the duct system at the collars.
2. Plug in to a 115/120 volt receptacle.
3. Set operation mode.

Note: Where remote dehumidistat or other remote switch is employed, run 2-conductor wire and connect to spring terminals on side of unit (SEE RIGHT).



E. OPERATING THE AIR EXCHANGER

- The machine uses a variable speed control to set the speed desired for continuous operation. Turn the speed control to OFF for intermittent (high speed) operation with a call from remote control, or internal dehumidistat.
- Where dehumidistat is used, set the dehumidistat at the desired level. Look for signs of excess humidity or dryness. Let your windows be your guide for signs of excess humidity. In colder winter conditions, condensation on windows suggests a lower dehumidistat setting. Static electricity in the air may indicate a higher setting be used. Most homes and people are comfortable between 40%-60% RH. Turn dehumidistat to OFF and use only speed control in hot humid months.

F. MAINTENANCE

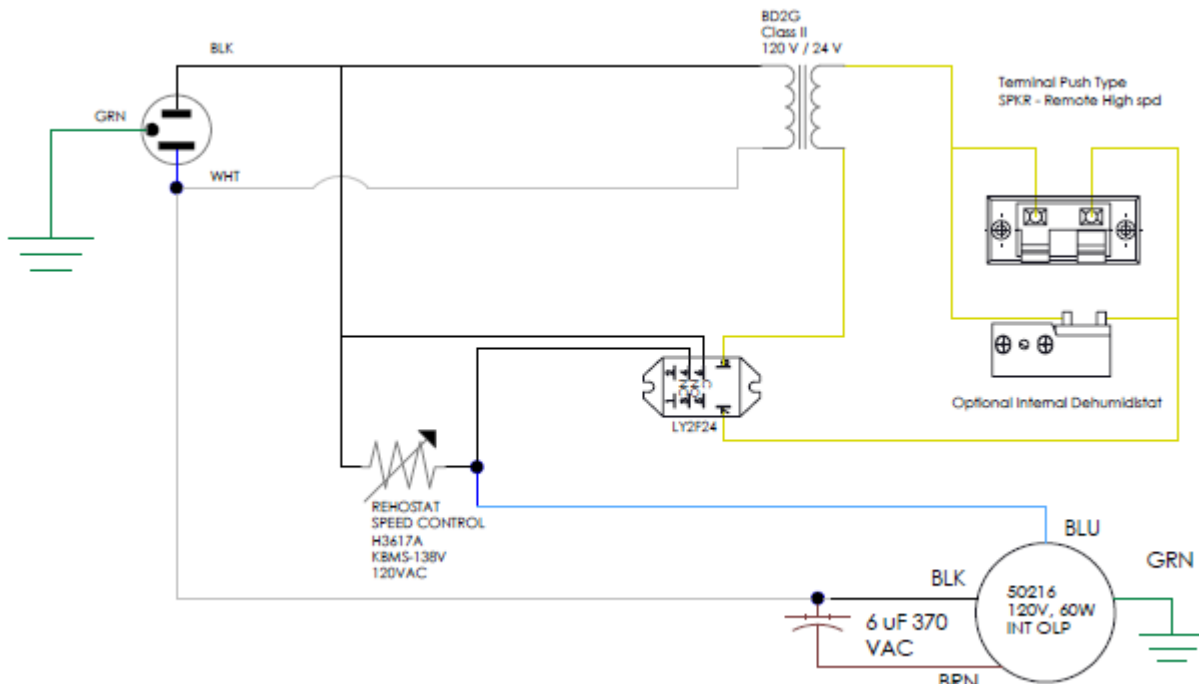
The motor is permanently sealed and lubricated. No routine maintenance is needed.

The filter should be vacuumed or washed gently with soap and water (do not wring) every three months and replaced as needed (usually once a year).

NOTE: All other service should be done by a qualified technician.



G. WIRING DIAGRAM



H. WARRANTY

MODEL *NU125* TRANSFERABLE WARRANTY

Should your *NU-AIR* Air Exchanger cease to function within three (3) years of date of original purchase due to defective material or workmanship of the product, *NU-AIR* Ventilation Systems Inc. will supply **FOB** factory to replace the defective part. Delivery, installation and labour cost would be your responsibility.

The above warranty does not cover damage to the unit while in your possession (other than damage by defective parts or material). Improper maintenance also voids the warranty. If the unit is put to commercial use or application other than residential use, the warranty is for a period of one (1) year.



P.O. Box 2758
Windsor, Nova Scotia B0N 2T0 Canada
Tel: (902) 798 2261
Fax: (902) 798 2557
E-mail: nuair@nu-airventilation.com
Website: www.nu-airventilation.com