



NU125 AIR EXCHANGER PRODUCT INFORMATION SHEET

APPLICATION: A cost-effective means to remove excess humidity and dilute indoor air pollutants by removing stale indoor air and introducing fresh outdoor air tempered by mixing with outgoing exhaust. Suitable for homes up to 2000 sq ft with bath fans.

CABINET: The case is constructed of 0.032 painted aluminum with a white enamel finish. The cabinet is fully insulated with 3/8" foil-faced insulation.

BLOWER: Backward curve impeller using PSC motor and permanently sealed bearings.

ADDITIONAL FEATURES:

- 24 VAC, 2 wire, remote dehumidistat option (p/n DSTAT-1)
- Built in variable speed control
- Connections for 24 VAC, 2-wire control
- Optional internal dehumidistat (p/n DSTATK 01)
- Hanger kit included
- Polyester supply air filter included

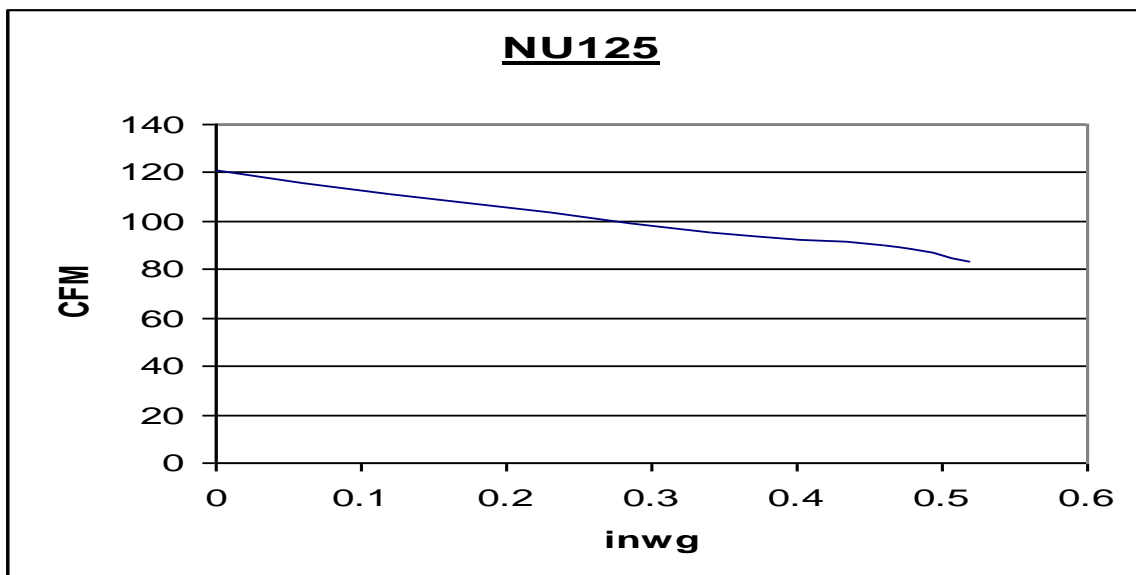
AIR FLOW	121 cfm / 57 l/s
DUCT SIZE	5" Ø / 125 mm Ø
CABINET SIZE (L x H x D)	16x10x11 in 406x254x227 mm
WATTS	75
VOLTS	115/120

CERTIFICATION: CSA C22.2

WARRANTY:

Subject to applicable consumer protection legislation Nu-Air Ventilation Systems Inc. warrants that the unit will be free from defective materials and workmanship for a period of three (3) years provided installation is in accordance with the instructions.

FAN PERFORMANCE

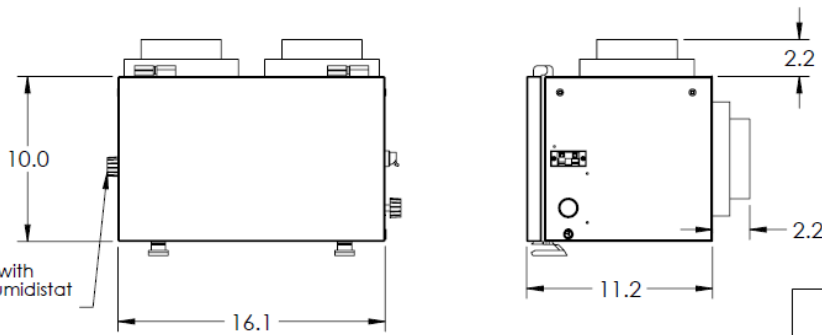
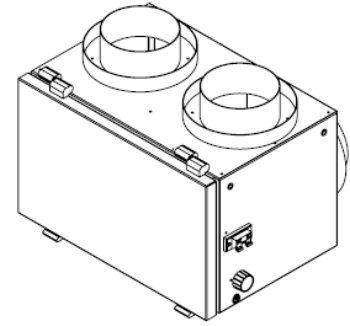
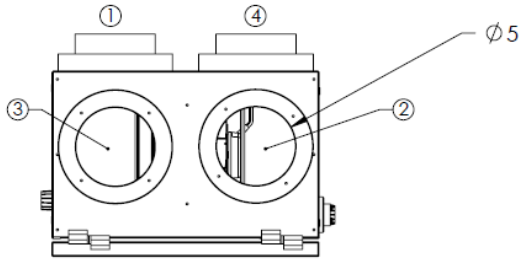


Note: Nu-Air reserves the right to change specifications without notice.

DOC RPS_NU125_112307003

Shop Drawing

- Duct Configuration:
 1 - Fresh Air from outside
 2 - Supply Air to space
 3 - Return Air from space
 4 - Exhaust Air to outside



Note: Product shown with optional internal dehumidistat installed.

PROPRIETARY AND CONFIDENTIAL
 THE INFORMATION CONTAINED IN THIS DRAWING IS THE SOLE PROPERTY OF NU-AIR VENTILATION SYSTEMS INCORPORATED. ANY REPRODUCTION IN PART OR AS A WHOLE WITHOUT THE WRITTEN PERMISSION OF NU-AIR VENTILATION SYSTEMS INCORPORATED IS PROHIBITED.

UNLESS OTHERWISE SPECIFIED:
 DIMENSIONS ARE IN INCHES
 TOLERANCES:
 ANGULAR: BEND ±2°
 TWO PLACE DECIMAL ±0.01
 THREE PLACE DECIMAL ±0.005


MATERIAL

PROJECT: NU125

DO NOT SCALE DRAWING

NAME	DATE
---	05/02/2021

MODEL INFORMATION:
 Model Name:
 NU125
 Model Revision Level:
 AB
 Drawing Revision Level:
 AA

 Sustainability Through Innovation		
TITLE: NU125 shop Drawing		
SIZE A	DWG. NO. NU125	REV AB
SCALE: 1:8	WEIGHT:	SHEET 2 OF 2

Note: Nu-Air reserves the right to change specifications without notice.

DOC RPS_NU125_112307003