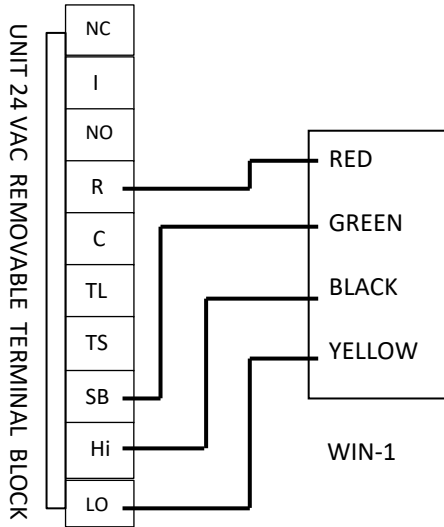


Win-1 Remote Control Wiring

Rev H control board (April 2013-)



Choose from the following operating modes:

1. Off
2. Standby
3. Continuous low speed
4. Intermittent high speed
5. Continuous high speed (CONSTANT)

