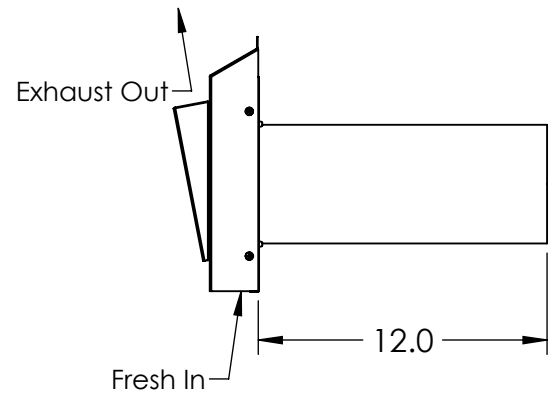
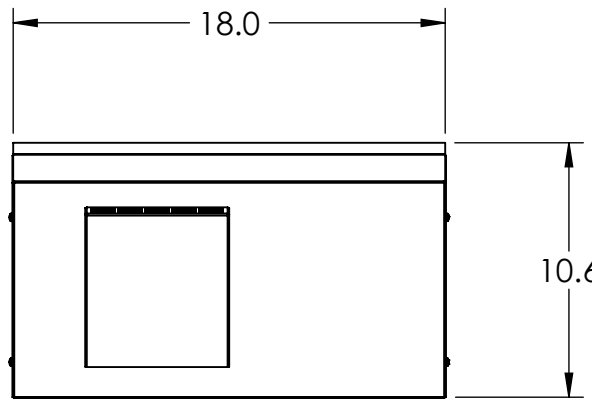
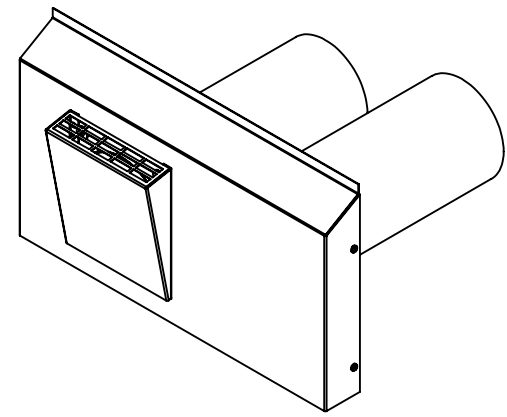
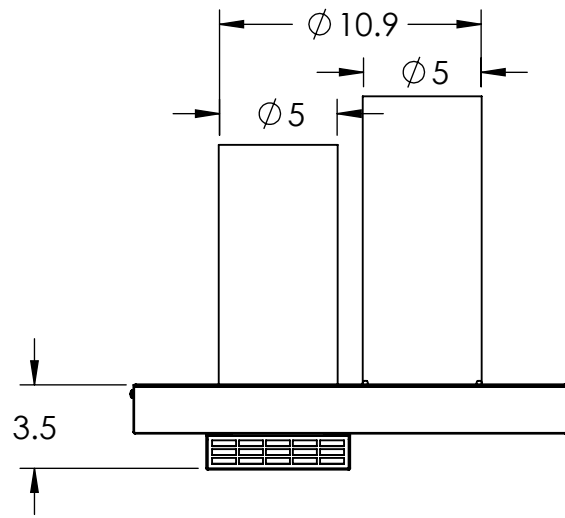


The Nu-Air THA5 is a factory engineered single penetration vent terminal that may be used when sufficient separation of supply and exhaust air cannot be maintained.



nu-air
Sustainability Through Innovation

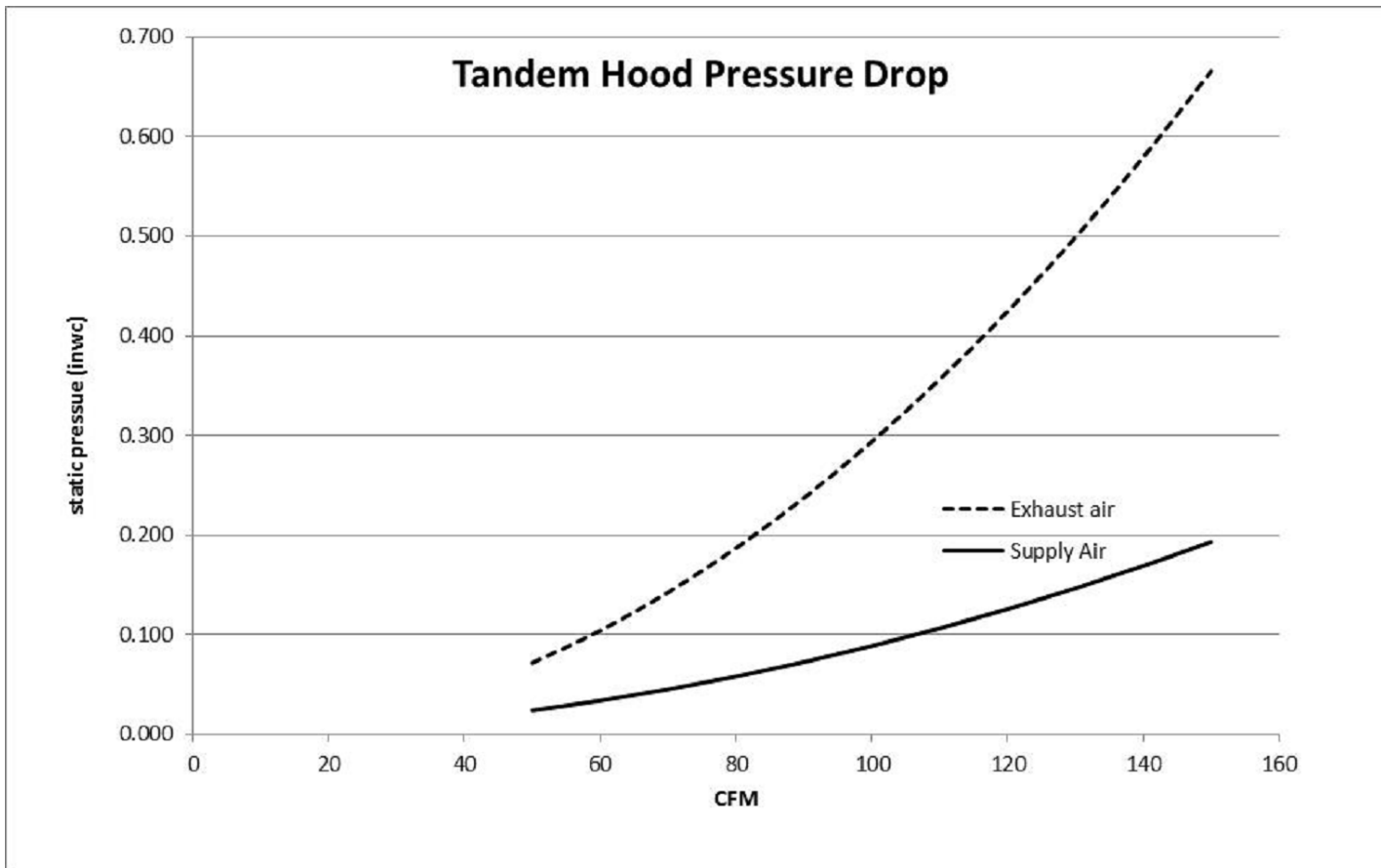
TITLE: Shop Drawing

SIZE	DWG. NO.	REV
A	tandem hood specification	AB
SCALE: 1:8	WEIGHT:	SHEET 1 OF 2

UNLESS OTHERWISE SPECIFIED: DIMENSIONS ARE IN INCHES TOLERANCES: ANGULAR: BEND $\pm 2^\circ$ TWO PLACE DECIMAL ± 0.01 THREE PLACE DECIMAL ± 0.005	NAME	DATE
	DRAWN	---
MATERIAL	MODEL INFORMATION: Model Name: tandem hood Model Revision Level: AB Drawing Revision Level: ---	
PROJECT: Hoods		
DO NOT SCALE DRAWING		

PROPRIETARY AND CONFIDENTIAL
THE INFORMATION CONTAINED IN THIS DRAWING IS THE SOLE PROPERTY OF NU-AIR VENTILATION SYSTEMS INCORPORATED. ANY REPRODUCTION IN PART OR AS A WHOLE WITHOUT THE WRITTEN PERMISSION OF NU-AIR VENTILATION SYSTEMS INCORPORATED IS PROHIBITED.

The THA5 achieved less than 10% re-intraintment of exhaust air in factory tests. To ensure airstream separation, higher exhaust air terminal velocities are used. This results in higher than normal pressure drop. Refer to the curves below when designing the air distribution system.



Installation Instruction:

Determine the location of the hood considering all building codes and best practices.

Cut an opening in the wall large enough to accept the insulated ducting. E.g. 14x8.

The outer hood cover can removed to use screws to secure the back plate to the siding if appropriate.

Apply caulking to the back plate of the hood and attach to a flat exterior surface.

Caulk and spray foam the hood from the inside.

Increase the duct size, as needed at the terminal.

Insulate both ducts up to the terminal and secure with sheathing tape.



TITLE:

Specifications and Instalation

SIZE	DWG. NO.	REV
A	tandem hood specification	
SCALE: 1:12	WEIGHT:	SHEET 2 OF 2

UNLESS OTHERWISE SPECIFIED:
 DIMENSIONS ARE IN INCHES
 TOLERANCES:
 ANGULAR: BEND ±2°
 TWO PLACE DECIMAL ±0.01
 THREE PLACE DECIMAL ±0.005

	NAME	DATE
DRAWN	---	29/07/2014

MODEL INFORMATION:
 Model Name:
 Model Revision Level:
 Drawing Revision Level:

PROPRIETARY AND CONFIDENTIAL
 THE INFORMATION CONTAINED IN THIS DRAWING IS THE SOLE PROPERTY OF NU-AIR VENTILATION SYSTEMS INCORPORATED. ANY REPRODUCTION IN PART OR AS A WHOLE WITHOUT THE WRITTEN PERMISSION OF NU-AIR VENTILATION SYSTEMS INCORPORATED IS PROHIBITED.

MATERIAL
 PROJECT:
 DO NOT SCALE DRAWING