

NU2200ERV PRODUCT INFORMATION SHEET

CORE

Enthalpy crossflow core. 2 sections.
 Nu-Air part #50571 x 2.
 Dimensions: 24" L x 24" W x 28" H.

ELECTRICAL OPTIONS

208-230 Single Phase, 60Hz.
 - Unit FLA: 16.8 Amps MCA: 21 Amps MOCP: 35 Amps
 208 Three Phase, 60Hz.
 - Unit FLA: 11 Amps MCA: 13.8 Amps MOCP: 20 Amps
 Single point power connection.

MOTORS

2 x 1.5HP single speed, belt drive motors. 1725 RPM.
 208-230/1 motors - Nu-Air part #50120.
 208/3 motors – Nu-Air part #50501.
 Split motor pulley for field adjustment of fan RPM.
 Motor pulley – Nu-Air part #50083.

BLOWERS

2 x DWDI 810 belt drive blowers. Nu-Air Part #50071.
 Standard airflow belt size: B38. Nu-Air Part #B38.
 Blower pulley – Nu-Air part #50127.
**If factory set to lower airflow, contact factory for belt & Pulley sizes.*

CONFIGURATION

Available in standard 'C' or reverse 'G' configuration.
 See drawings.

CABINET

The case is constructed of 22 Ga galvanized steel that is fully insulated with 1" foil faced fibreglass insulation.
 Drain connections: 3/4" (2). Nu-Air drain fitting part #50249.
 Cabinet Dimensions: 64" L x 38" H x 30" W.
 Duct connections: 24" x 12".

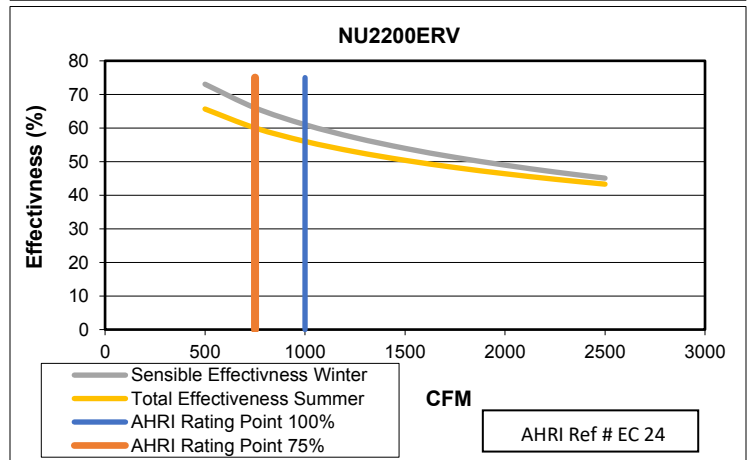
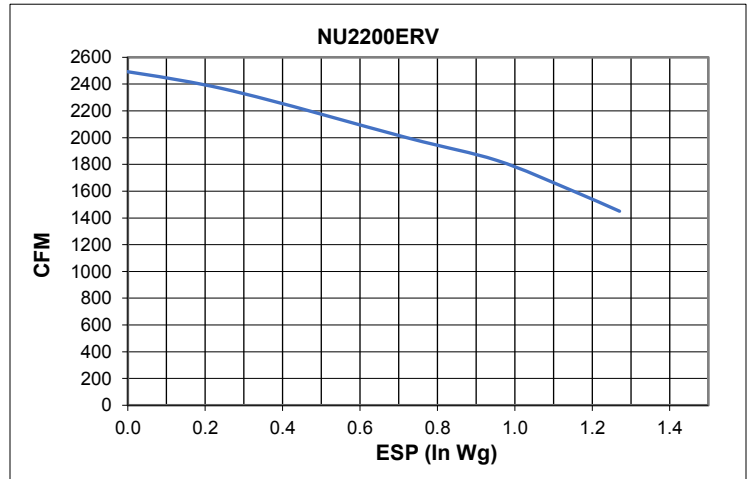
DEFROST METHOD

Model **NU2200FL** – Supply fan shuts down while exhaust air defrosts core.

FILTERS

2 Filters @ 12" x 24" x 1" & 2 Filters @ 16" x 24" x 1".
 1" pleated MERV8 filters in supply and exhaust airstreams.
 MERV13 filter upgrade available upon request.
 Dirty filter contacts available upon request.

Filter	Type	Part #'s	Qty
MERV8	1" Pleated	50016 & 50410	2 Each
MERV13	1" Pleated	50809 & 50808	2 Each



ADDITIONAL FEATURES

- Local non-fused disconnect switch.
- Local on-off switch.
- Base rail complete with tripping brackets.

CONTROL OPTIONS

24 V controls available

- Dstat-1 – On/Off function only.
- 50395 – Intermatic 7 day programmable timer.
- Any dry contact switch – By Others.

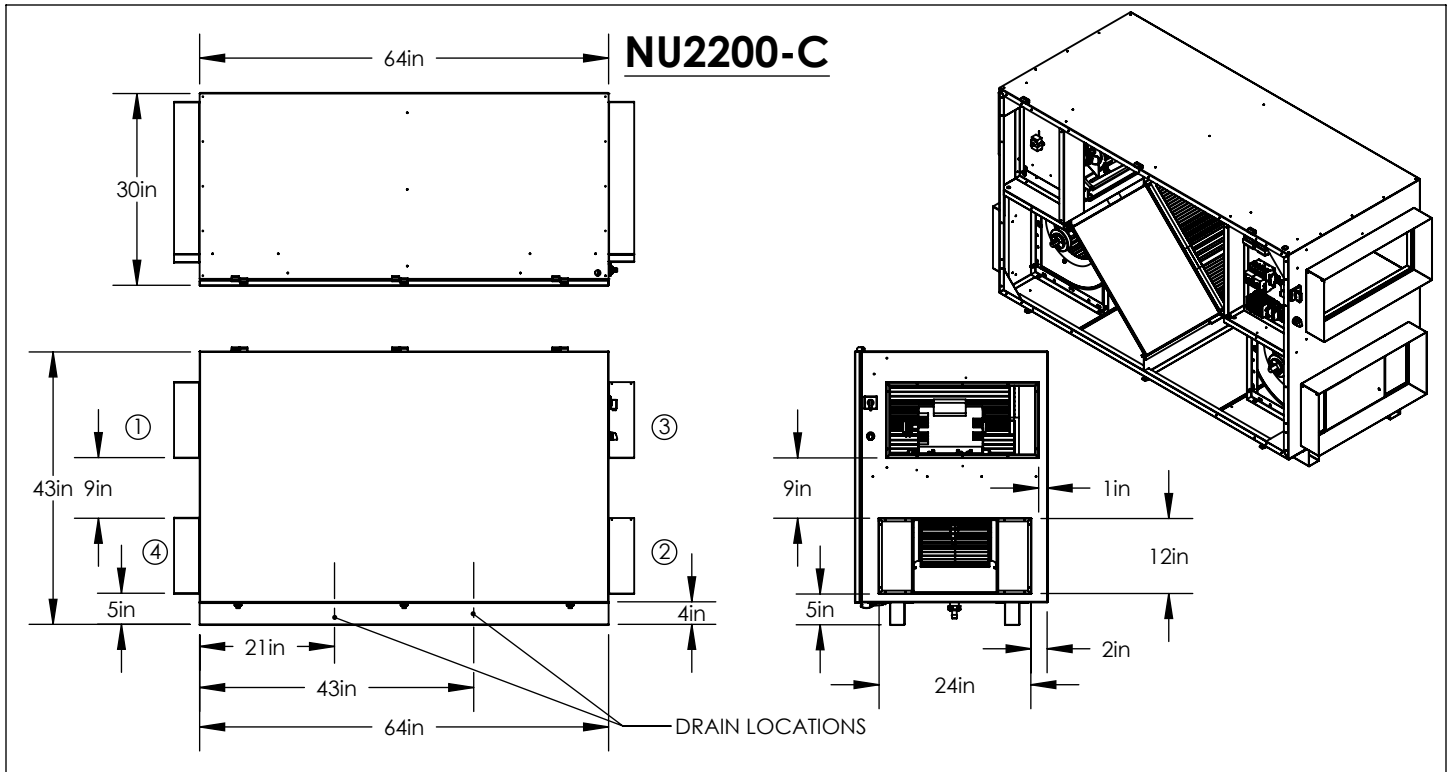
WEIGHT –400lbs/181.4kg

SHIPPING WEIGHT - 450lbs/204kg

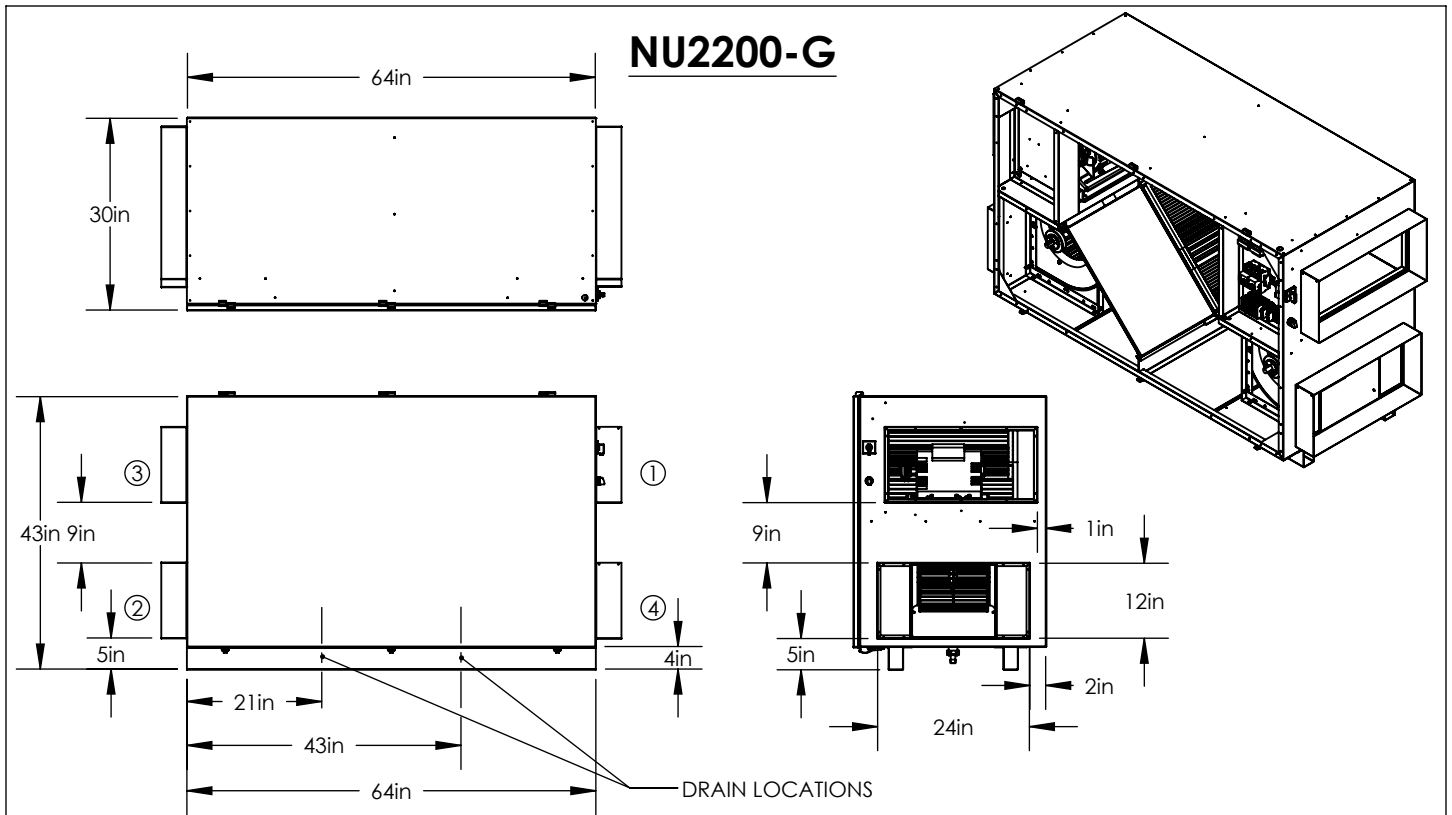
WARRANTY - Provided installation is in accordance with instruction, 5 year warranty on the ERV core and a 2 year warranty on replacement parts.

Distributed by:

NU2200 CONFIGURATION DRAWINGS



1 - OUTSIDE AIR / FRESH AIR FROM OUTSIDE	2 - SUPPLY AIR / FRESH AIR TO SPACE	3 - RETURN AIR / EXHAUST AIR FROM SPACE	4 - EXHAUST AIR / EXHAUST AIR TO OUTSIDE
--	-------------------------------------	---	--



In the interest of product improvement, Nu-Air reserves the right to change specifications without notice.