

NU2200HRV PRODUCT INFORMATION SHEET

CORE

Polypropylene crossflow core. 2 sections.
 Nu-Air part #PC2314A x 2.
 Dimensions: 24" L x 24" W x 28" H.

ELECTRICAL OPTIONS

208-230 Single Phase, 60Hz.
 - Unit FLA: 16.8 Amps MCA: 21 Amps MOCP: 35 Amps
 208 Three Phase, 60Hz.
 - Unit FLA: 11 Amps MCA: 13.8 Amps MOCP: 20 Amps
 Single point power connection.

MOTORS

2 x 1.5HP single speed, belt drive motors. 1725 RPM.
 208-230/1 motors - Nu-Air part #50120.
 208/3 motors – Nu-Air part #50501.
 Split motor pulley for field adjustment of fan RPM.
 Motor pulley – Nu-Air part #50083.

BLOWERS

2 x DWDI 810 belt drive blowers. Nu-Air Part #50071.
 Standard airflow belt size: B38. Nu-Air Part #B38.
 Blower pulley – Nu-Air part #50127.
**If factory set to lower airflow, contact factory for belt & Pulley sizes.*

CABINET

The case is constructed of 22 Ga galvanized steel that is fully insulated with 1" foil faced fibreglass insulation.
 Drain connections: 3/4"(2). Nu-Air drain fitting part #50249.
 Cabinet Dimensions: 64" L x 38" H x 30" W.
 Duct connections: 24" x 12".

CONFIGURATION

Available in standard 'C' or reverse 'G' configuration. See drawings.

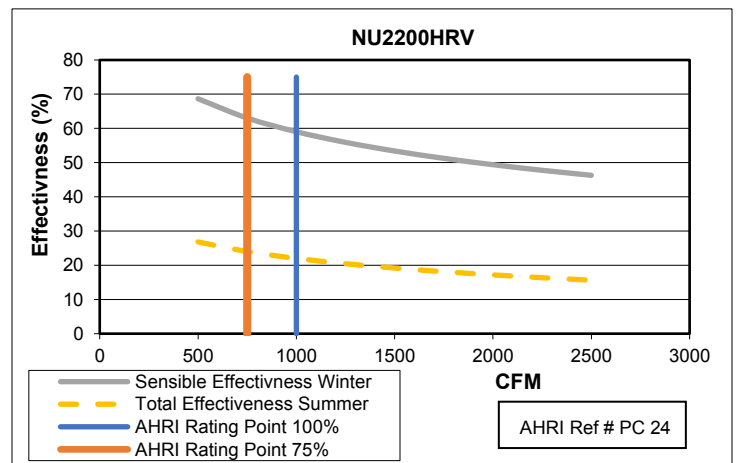
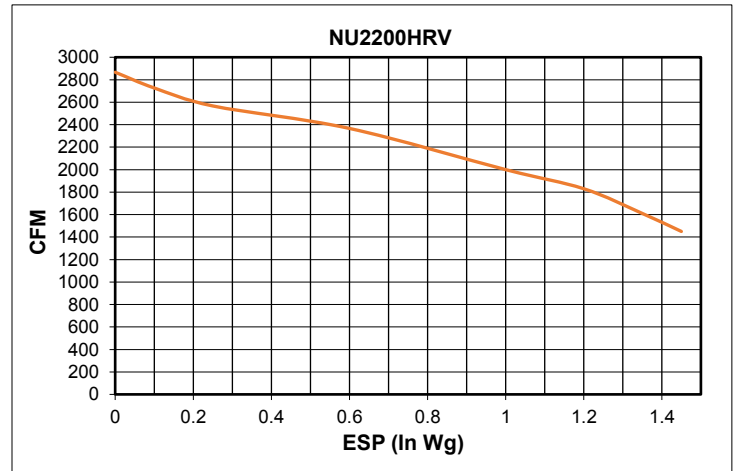
DEFROST METHOD

Model **NU2200FP** – Supply fan shuts down while exhaust air defrosts core.

FILTERS

2 Filters @ 12" x 24" x 1" & 2 Filters @ 16" x 24" x 1".
 1" pleated MERV8 filters in supply and exhaust airstreams.
 MERV13 filter upgrade available upon request.
 Dirty filter contacts available upon request.

| Filter | Type | Part #'s | Qty |
|--------|------------|---------------|--------|
| MERV8 | 1" Pleated | 50016 & 50410 | 2 Each |
| MERV13 | 1" Pleated | 50809 & 50808 | 2 Each |



ADDITIONAL FEATURES

- Local non-fused disconnect switch.
- Local on-off switch.
- Base rail complete with tripping brackets.

CONTROL OPTIONS
24 V controls available
Dstat-1 – On/Off function only.
50395 – Intermatic 7 day programmable timer.
Any dry contact switch – By Others.

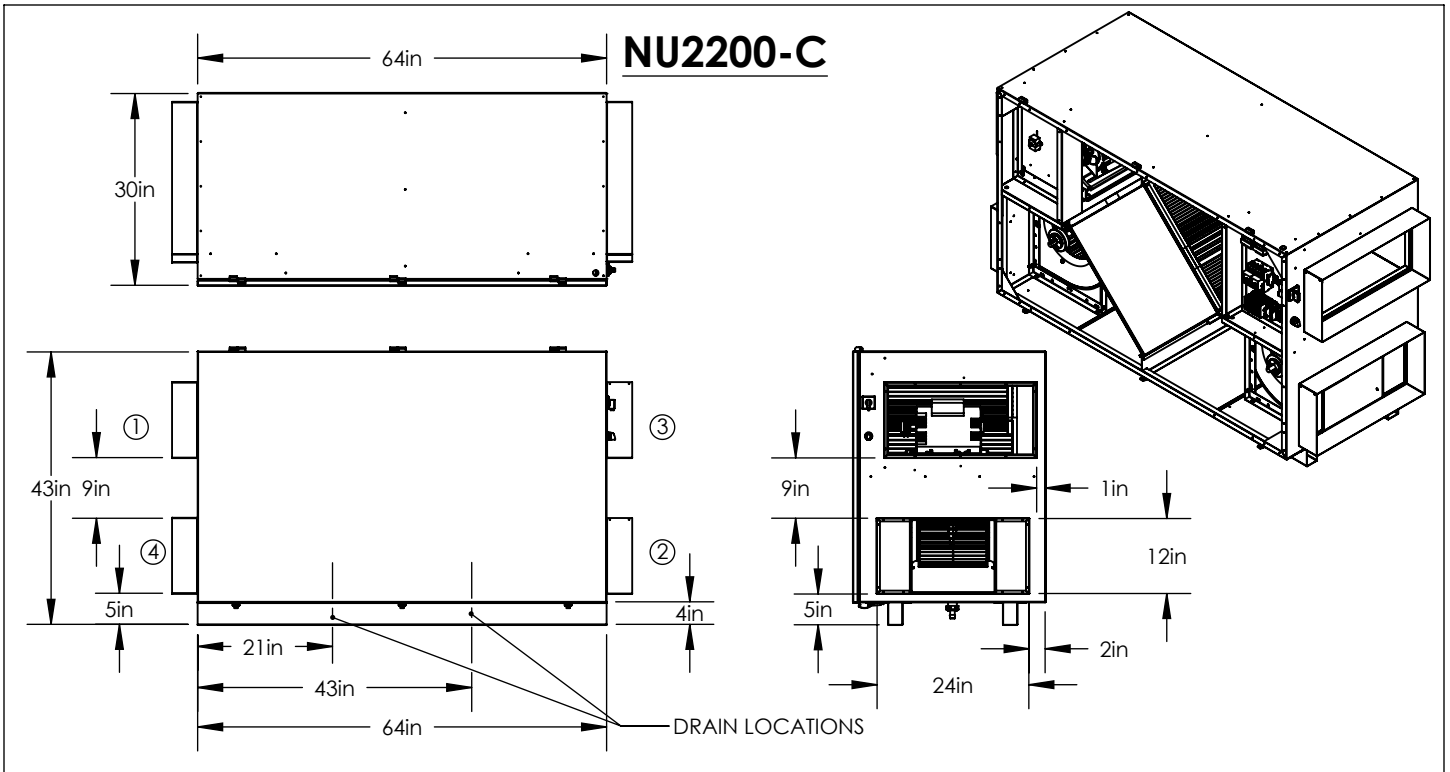
WEIGHT –400lbs/181.4kg

SHIPPING WEIGHT - 450lbs/204kg

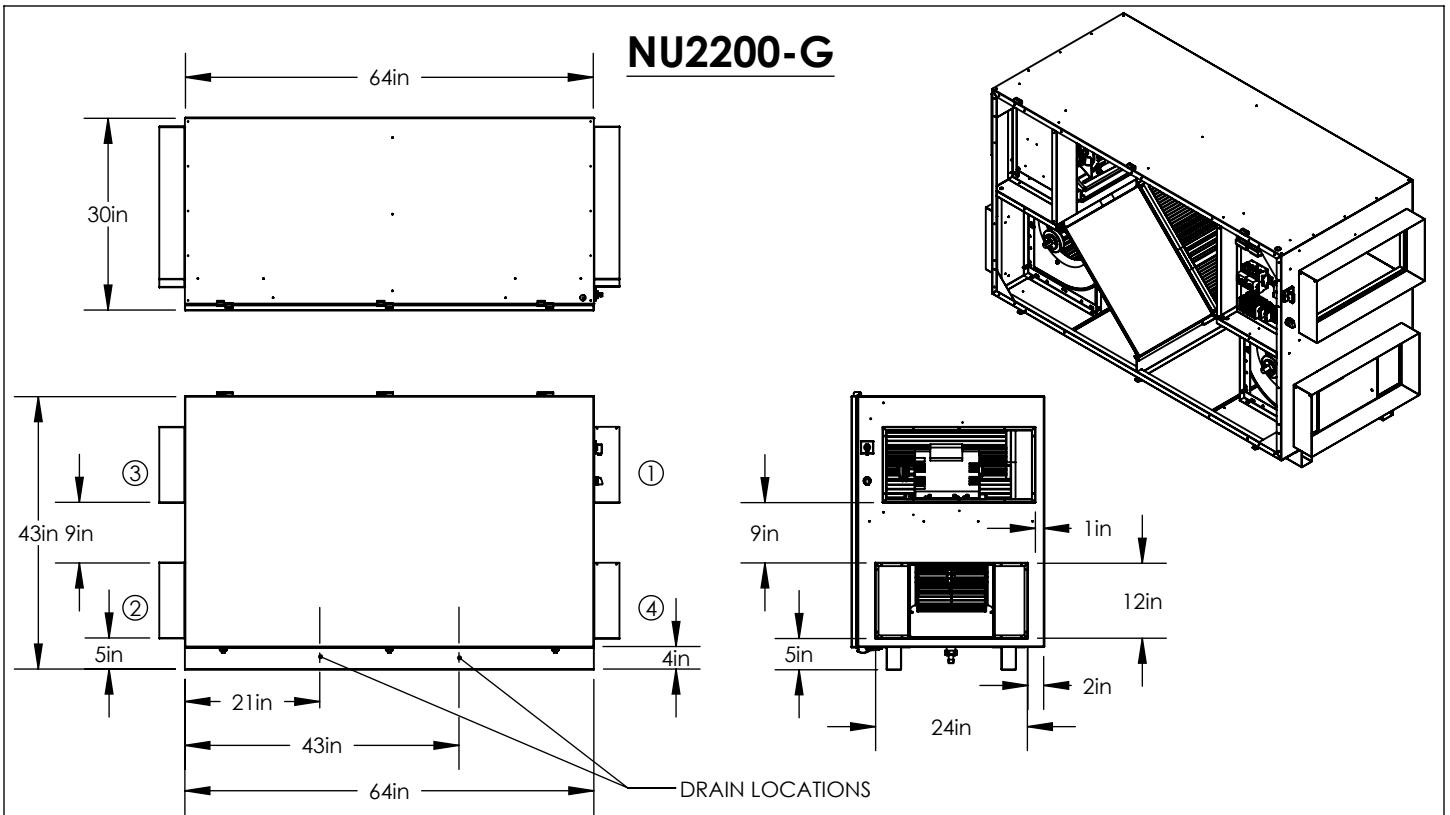
WARRANTY - Provided installation is in accordance with instruction, 15 year warranty on the HRV core and a 2 year warranty on replacement parts.

Distributed by:

NU2200 CONFIGURATION DRAWINGS



| | | | |
|--|-------------------------------------|---|--|
| 1 - OUTSIDE AIR / FRESH AIR FROM OUTSIDE | 2 - SUPPLY AIR / FRESH AIR TO SPACE | 3 - RETURN AIR / EXHAUST AIR FROM SPACE | 4 - EXHAUST AIR / EXHAUST AIR TO OUTSIDE |
|--|-------------------------------------|---|--|



In the interest of product improvement, Nu-Air reserves the right to change specifications without notice.