

NU600HRV PRODUCT INFORMATION SHEET

CORE

Polypropylene crossflow core. Nu-Air part #PC1720A.
Dimensions: 17.5”L x 17.5”W x 21”H.

ELECTRICAL

115Volt, 60Hz. Single point power connection.
Unit FLA: 4.4 Amps MCA: 5.5 Amps MOCP: 15 Amps

MOTORS

Fractional 2 speed PSC motors. 1275 RPM. Nu-Air Part #50104. Independent speed adjustment of either supply or exhaust motor in both high and low speed.

BLOWERS

Two forward curve, dual inlet fans using permanently sealed bearings.

CABINET

The case is constructed of .050 pre-painted white aluminum that is fully insulated with 1” foil faced fibreglass insulation.
Drain connections: 1/2”(2). Nu-Air drain fitting part #50362. Cabinet Dimensions: 42”L x 30”H x 23”W.
Duct connections: 14” x 8”.

CONFIGURATION

Available in standard ‘A’ or reverse ‘E’ configuration. See drawings.

ELECTRONICS

Integrated microprocessor. Built in interlock contacts.
24V circuit protection with self resetting fuse.
12VDC and/or 24V connection for remote control with mechanical switch or any Nu-Air control.

DEFROST OPTIONS

Model **NU600FP** – Supply fan shuts down while exhaust air defrosts core.
Model **NU600DP** – Bypass damper routes indoor air to defrost core.

WEIGHT – 170lbs/77.3kg

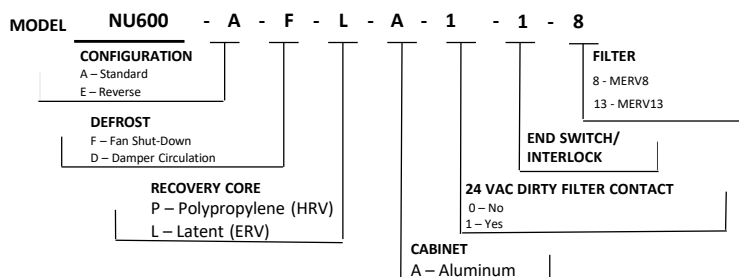
SHIPPING WEIGHT – 190lbs/86.2kg

FILTERS

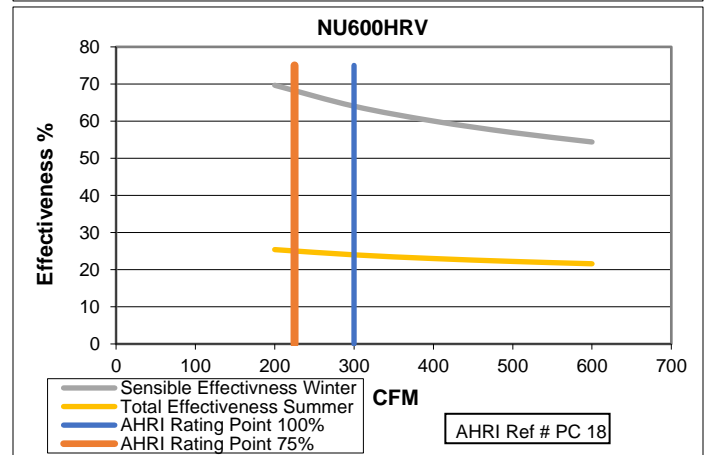
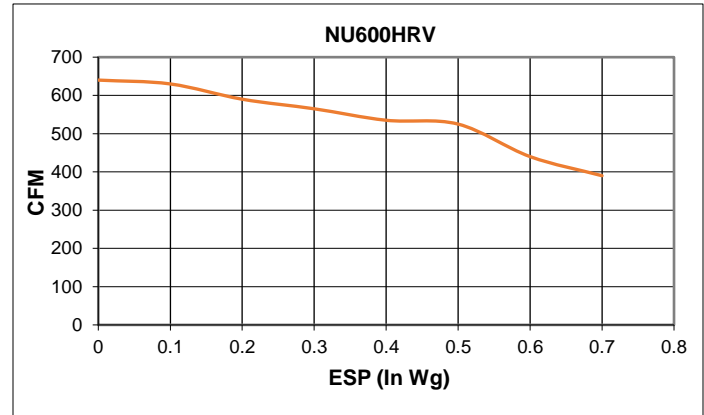
2 Filters @ 16” x 20” x 1”.
1” pleated MERV8 filters in supply and exhaust airstreams.
MERV13 filter upgrade available upon request.

Filter	Type	Part #	Qty
MERV8	1” Pleated	50162	2
MERV13	1” Pleated	50807	2

NOMENCLATURE EXAMPLE



Distributed by:



CONTROL OPTIONS

12 VDC controls available

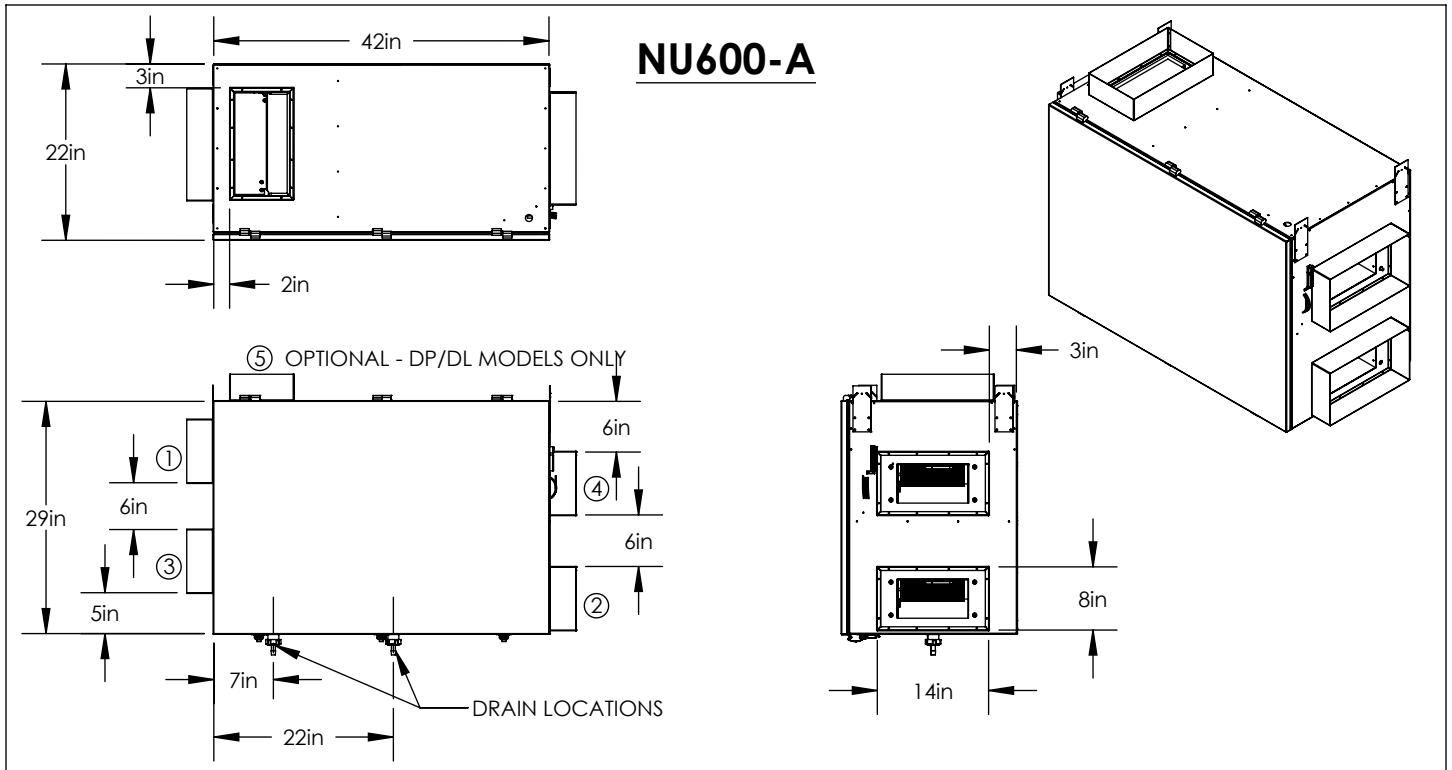
Lumina (NAV-561) - Digital wall mounted control c/w Dehumidistat, timer functions & filter change indicator

24 V controls available

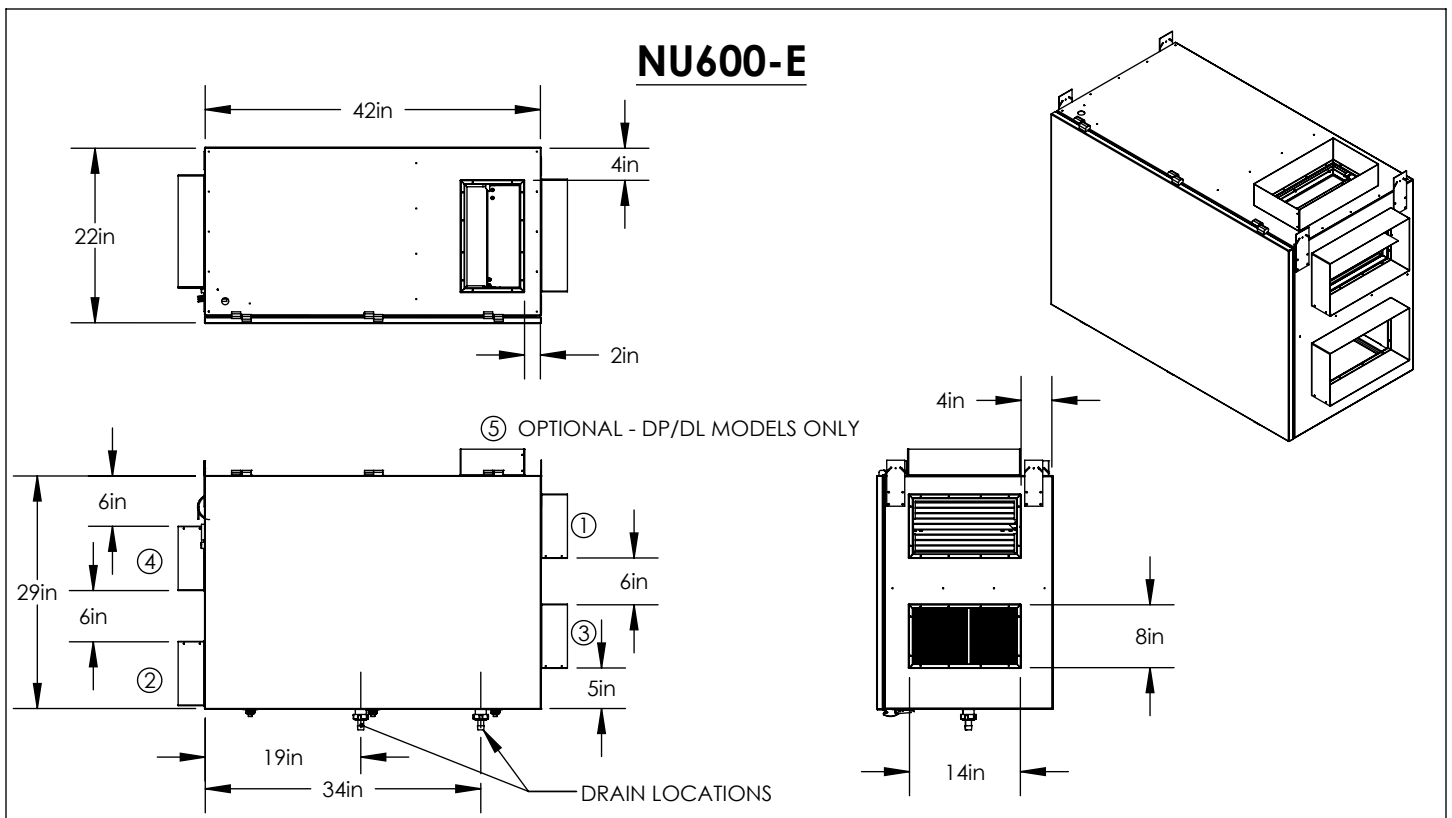
NAV-460 - 20/40/60 minute timer
Dstat-1 - Humidity control
WIN-1 – Humidity control c/w Off/Standby/Continuous/Intermittent
WIN-20 – 20 minute push button timer (up to 6 per unit)
Any dry contact switch – By Others

WARRANTY - Provided installation is in accordance with instruction, 5 year warranty on the ERV core and a 2 year warranty on replacement parts.

NU600 CONFIGURATION DRAWINGS



1 - OUTSIDE AIR / FRESH AIR FROM OUTSIDE	2 - SUPPLY AIR / FRESH AIR TO SPACE	3 - RETURN AIR / EXHAUST AIR FROM SPACE	4 - EXHAUST AIR / EXHAUST AIR TO OUTSIDE	5 - DEFROST AIR (OPTIONAL - DP/DL MODELS ONLY)
--	-------------------------------------	---	--	--



In the interest of product improvement, Nu-Air reserves the right to change specifications without notice.