

# NU2200HRV PRODUCT INFORMATION SHEET

## CORE

Polypropylene crossflow core. 2 sections.  
Nu-Air part #PC2314A .  
Dimensions: 24”L x 24”W x 28”H.

## ELECTRICAL OPTIONS

208-230 Single Phase, 60Hz.  
-Unit FLA: 16.8 Amps MCA: 21 Amps MOCP: 35 Amps  
208 Three Phase, 60Hz.  
-Unit FLA: 11 Amps MCA: 13.8 Amps MOCP: 20 Amps  
Single point power connection.

## MOTORS

2 x 1.5HP single speed, belt drive motors. 1725 RPM.  
208-230/1 motors - Nu-Air part #50120.  
208/3 motors – Nu-Air part #50501.  
Split motor pulley for field adjustment of fan RPM.  
Motor pulley – Nu-Air part #50083.

## BLOWERS

2 x DWDI 810 belt drive blowers. Nu-Air Part #50071.  
Standard airflow belt size: B38. Nu-Air Part #B38.  
Blower pulley – Nu-Air part #50127.  
*\*If factory set to lower airflow, contact factory for belt & Pulley sizes.*

## CABINET

The case is constructed of 22 Ga galvanized steel that is fully insulated with 1” foil faced fibreglass insulation.  
Drain connections: 1/2”(2). Nu-Air drain fitting part #50362.  
Cabinet Dimensions: 64”L x 38”H x 30”W.  
Duct connections: 24” x 12”.

## CONFIGURATION

Available in standard ‘C’ or reverse ‘G’ configuration. See drawings.

## DEFROST METHOD

Model **NU2200FP** – Supply fan shuts down while exhaust air defrosts core.

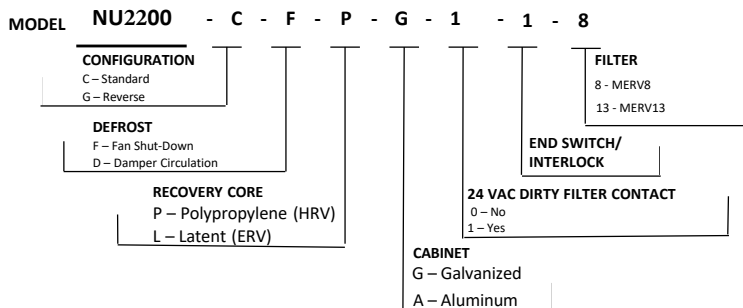
**WEIGHT** –400lbs/181.4kg **SHIPPING WEIGHT** –400lbs/181.4kg

## FILTERS

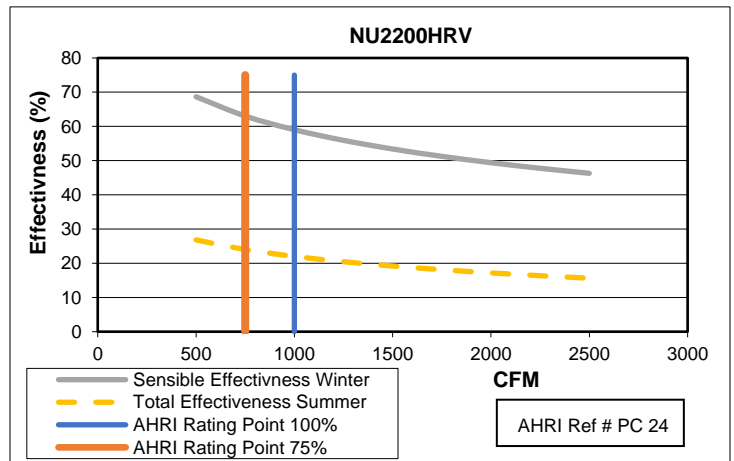
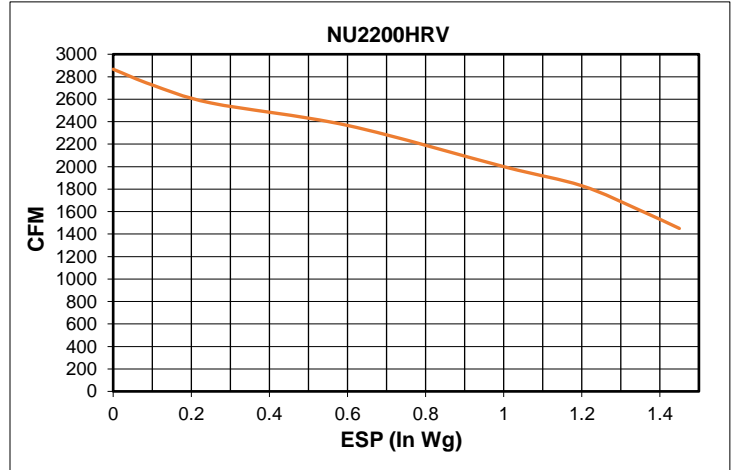
2 Filters @ 12” x 24” x 1” & 2 Filters @ 16” x 24” x 1”.  
1” pleated MERV8 filters in supply and exhaust airstreams.  
MERV13 filter upgrade available upon request.  
Dirty filter contacts available upon request.

| Filter | Type       | Part #'s      | Qty    |
|--------|------------|---------------|--------|
| MERV8  | 1” Pleated | 50016 & 50410 | 2 Each |
| MERV13 | 1” Pleated | 50809 & 50808 | 2 Each |

## NOMENCLATURE EXAMPLE



Distributed by:



## ADDITIONAL FEATURES

- Local non-fused disconnect switch.
- Local on-off switch.
- Base rail complete with tripping brackets.

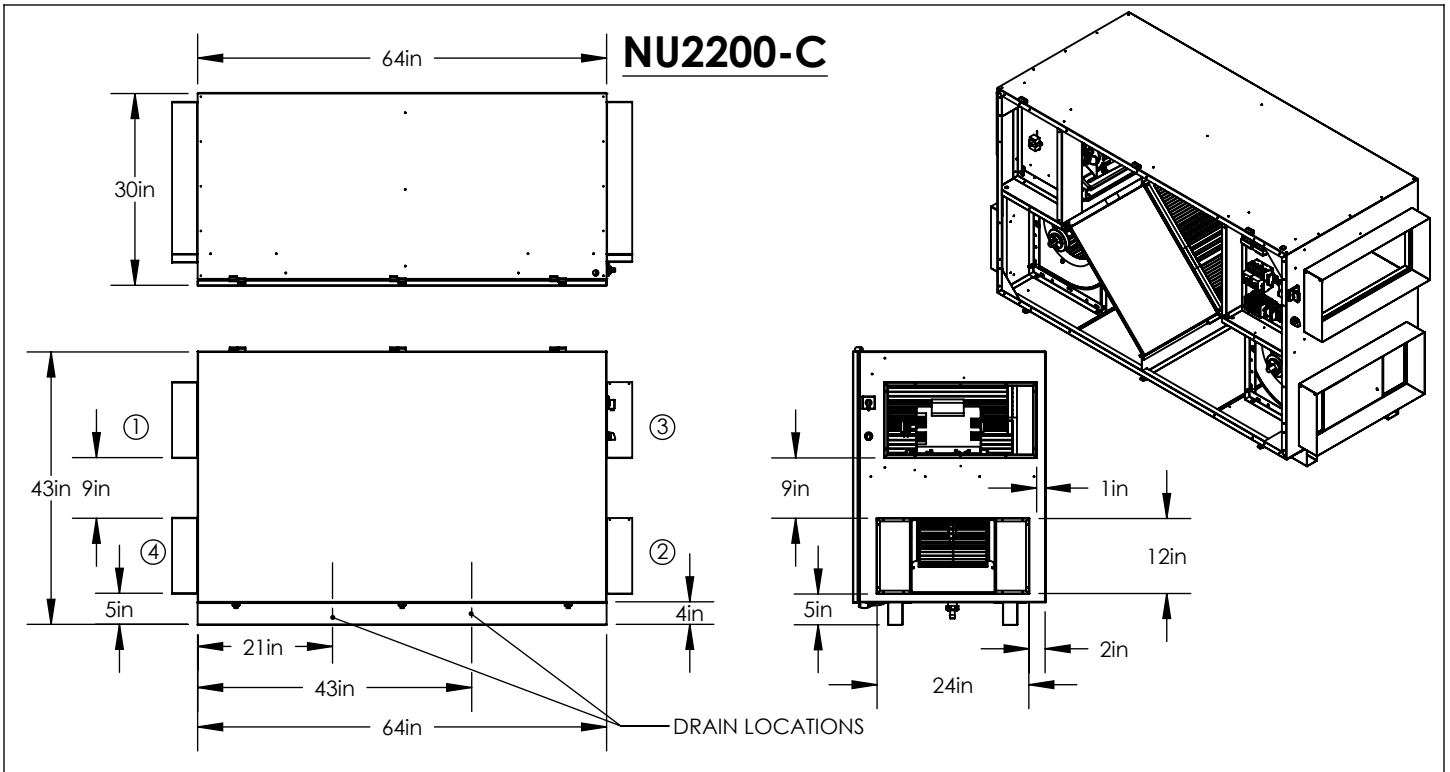
## CONTROL OPTIONS

### 24 V controls available

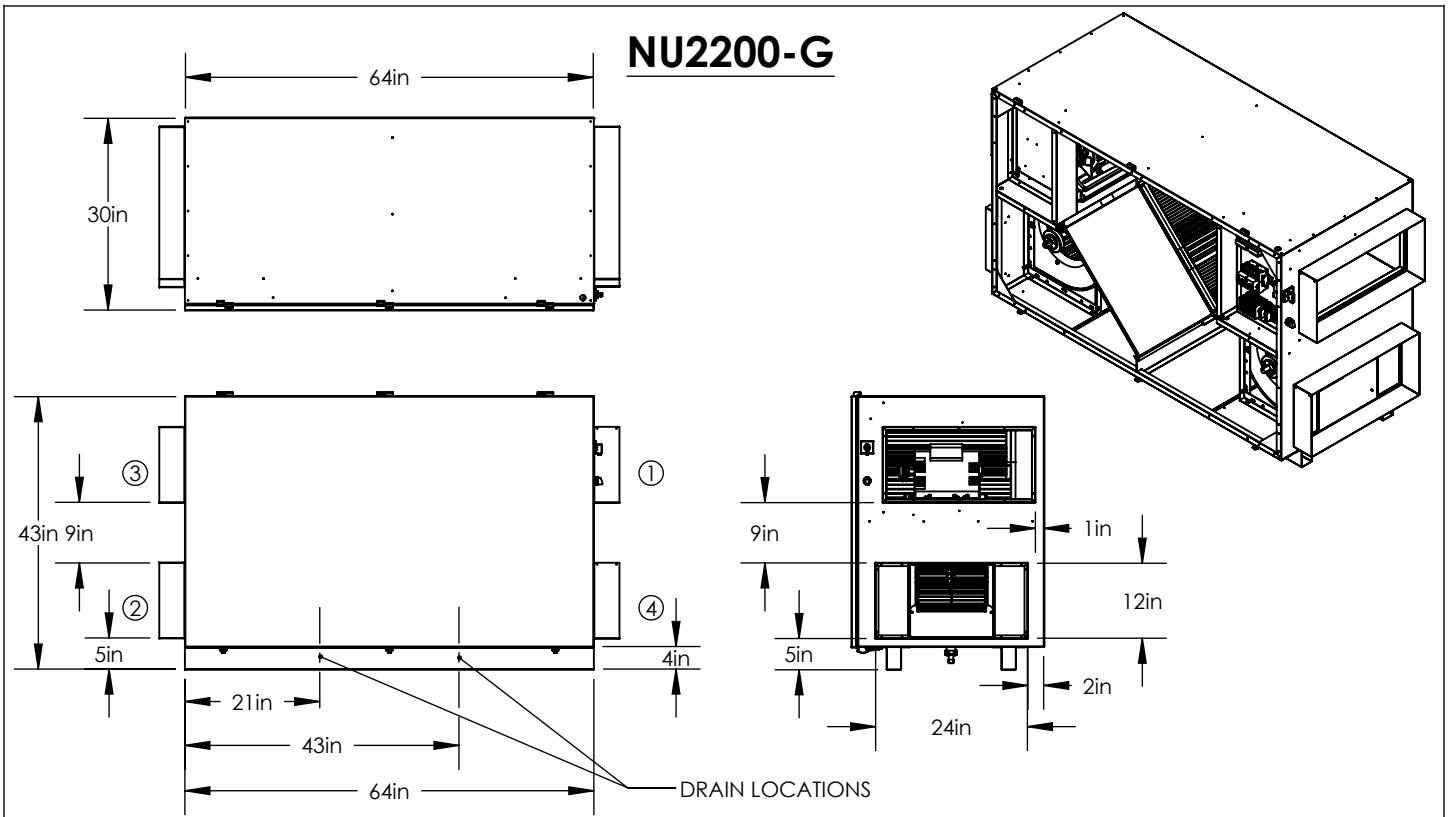
- Dstat-1** – On/Off function only.
- 50395** – Intermatic 7 day programmable timer.
- Any dry contact switch** – By Others.

**WARRANTY** - Provided installation is in accordance with instruction, 15 year warranty on the HRV core and a 2 year warranty on replacement parts

# NU2200 CONFIGURATION DRAWINGS



|  |                                     |   |  |
|--|-------------------------------------|---|--|
| 1 - OUTSIDE AIR / FRESH AIR FROM OUTSIDE | 2 - SUPPLY AIR / FRESH AIR TO SPACE | 3 - RETURN AIR / EXHAUST AIR FROM SPACE | 4 - EXHAUST AIR / EXHAUST AIR TO OUTSIDE |
|--|-------------------------------------|---|--|



In the interest of product improvement, Nu-Air reserves the right to change specifications without notice.