

# NU2200ERV PRODUCT INFORMATION SHEET

## CORE

Enthalpy crossflow core. 2 sections. Nu-Air part #EC2314A Dimensions: 24"L x 24"W x 28"H

## ELECTRICAL OPTIONS

208-230 Single Phase, 60Hz  
 -Unit FLA: 16.8 Amps MCA: 21 Amps MOCP: 35 Amps  
 -208 Three Phase, 60Hz  
 -Unit FLA: 11 Amps MCA: 13.8 Amps MOCP: 20 Amps  
 -Single point power connection

## MOTORS

2 x 1.5HP single speed, belt drive motors. 1725 RPM  
 208-230/1 motors - Nu-Air part #50120  
 208/3 motors - Nu-Air part #50501  
 Split motor pulley for field adjustment of fan RPM  
 Motor pulley - Nu-Air part #50083

## BLOWERS

2 x DWDI 810 belt drive blowers. Nu-Air Part #50071  
 Standard airflow belt size: B38. Nu-Air Part #B38  
 Blower pulley - Nu-Air part #50127  
 \*If factory set to lower airflow, contact factory for belt & Pulley sizes

## CONFIGURATION

Available in standard 'C' or reverse 'G' configuration.  
 See drawings

## CABINET

The case is constructed of 22 Ga galvanized steel that is fully insulated with 1" foil faced fibreglass insulation  
 Drain connections: 1/2"(2). Nu-Air drain fitting part #50362  
 Cabinet Dimensions: 64"L x 38"H x 30"W  
 Duct connections: 24" x 12"

## DEFROST METHOD

Model NU2200FL - Supply fan shuts down while exhaust air defrosts core

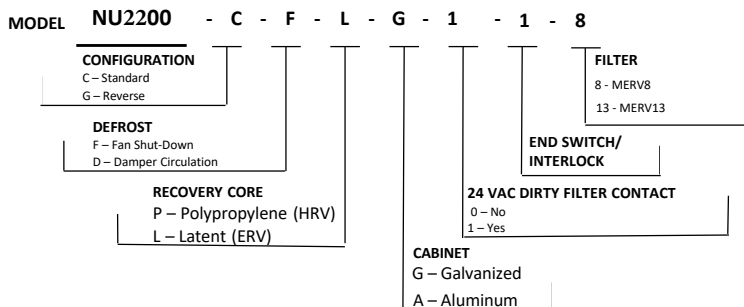
**WEIGHT** -400lbs/181.4kg **SHIPPING WEIGHT** - 450lbs/204kg

## FILTERS

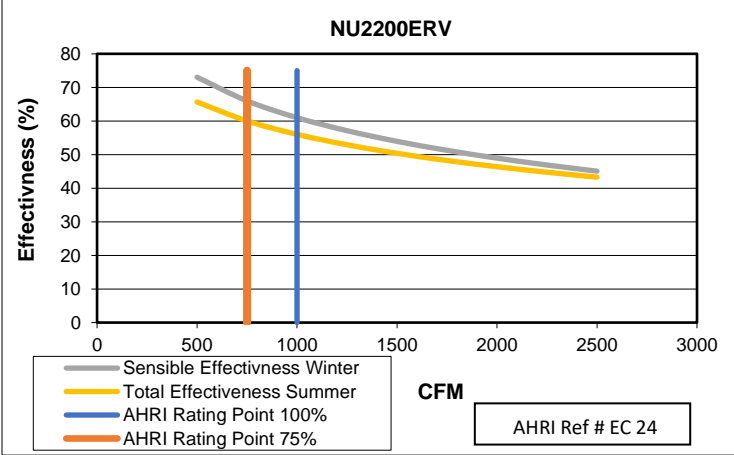
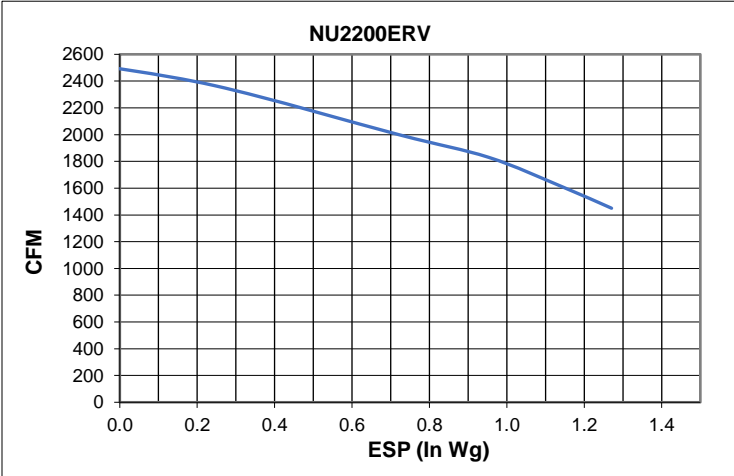
2 Filters @ 12" x 24" x 1" & 2 Filters @ 16" x 24" x 1"  
 1" pleated MERV8 filters in supply and exhaust airstreams  
 MERV13 filter upgrade available upon request  
 Dirty filter contacts available upon request

| Filter | Type       | Part #'s      | Qty    |
|--------|------------|---------------|--------|
| MERV8  | 1" Pleated | 50016 & 50410 | 2 Each |
| MERV13 | 1" Pleated | 50951 & 50808 | 2 Each |

## NOMENCLATURE EXAMPLE



**Distributed by:**



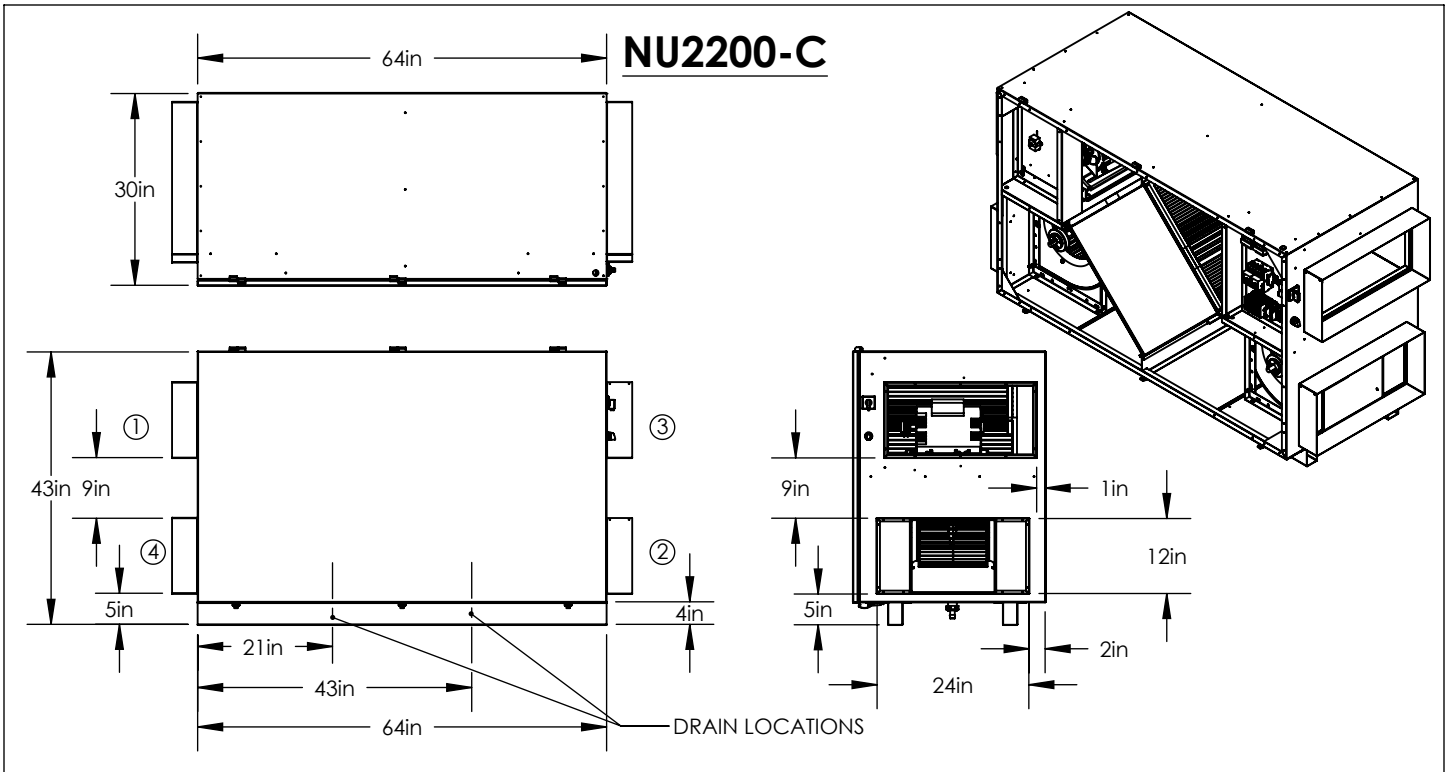
## ADDITIONAL FEATURES

- Local non-fused disconnect switch.
- Local on-off switch.
- Base rail complete with tripping brackets.

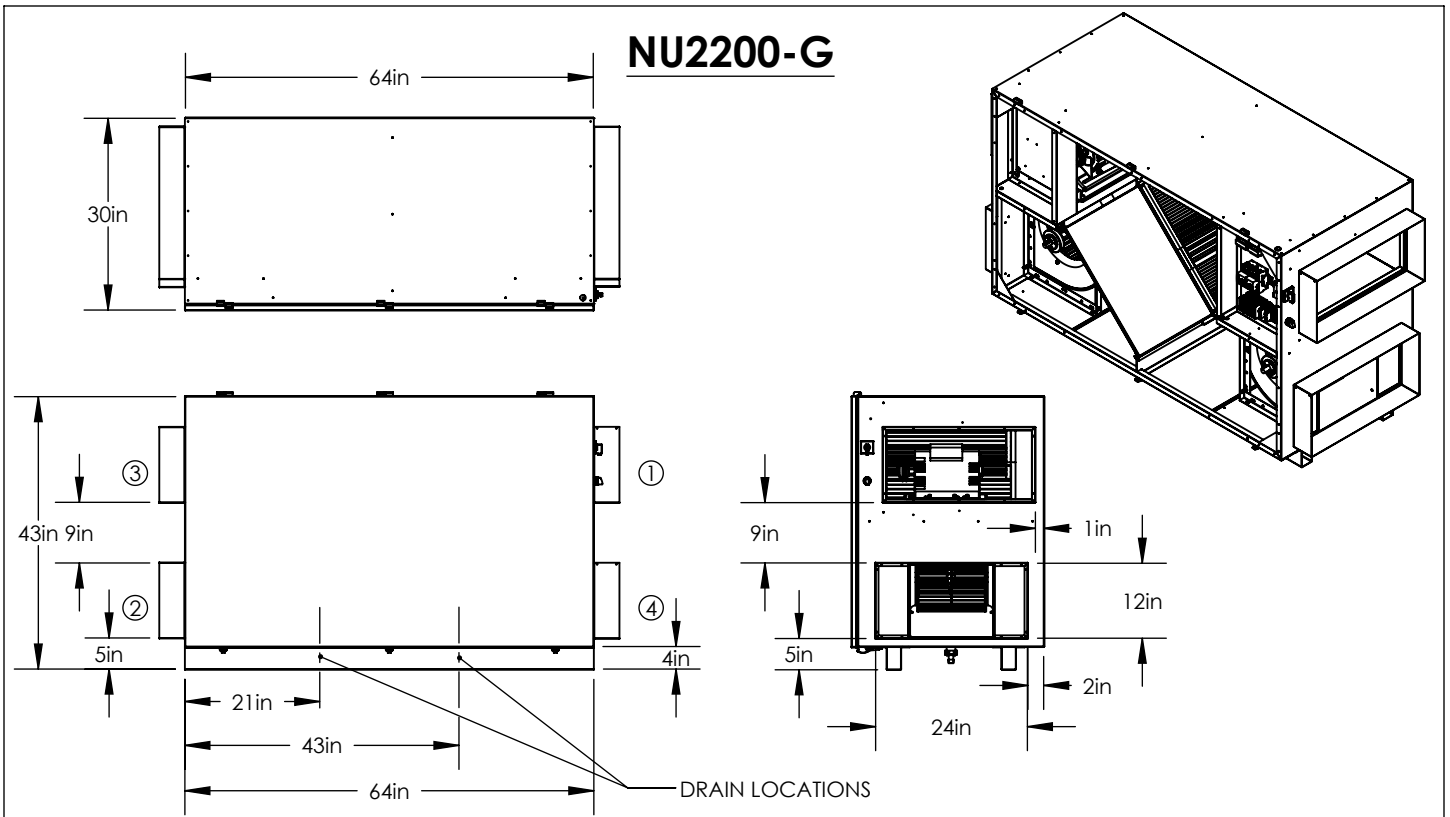
**CONTROL OPTIONS**  
**24 V controls available**  
 Dstat-1 - On/Off function only.  
 50395 - Intermatic 7 day programmable timer.  
 Any dry contact switch - By Others.

**WARRANTY** - Provided installation is in accordance with instruction, 5 year warranty on the ERV core and a 2 year warranty on replacement parts.

# NU2200 CONFIGURATION DRAWINGS



|  |                                     |   |  |
|--|-------------------------------------|---|--|
| 1 - OUTSIDE AIR / FRESH AIR FROM OUTSIDE | 2 - SUPPLY AIR / FRESH AIR TO SPACE | 3 - RETURN AIR / EXHAUST AIR FROM SPACE | 4 - EXHAUST AIR / EXHAUST AIR TO OUTSIDE |
|--|-------------------------------------|---|--|



In the interest of product improvement, Nu-Air reserves the right to change specifications without notice.