

NU2200HRV PRODUCT INFORMATION SHEET

CORE

Polypropylene crossflow core. 2 sections.
Nu-Air part #PC2314A .
Dimensions: 24”L x 24”W x 28”H.

ELECTRICAL OPTIONS

208-230 Single Phase, 60Hz.
-Unit FLA: 16.8 Amps MCA: 21 Amps MOCP: 35 Amps
208 Three Phase, 60Hz.
-Unit FLA: 11 Amps MCA: 13.8 Amps MOCP: 20 Amps
Single point power connection.

MOTORS

2 x 1.5HP single speed, belt drive motors. 1725 RPM.
208-230/1 motors - Nu-Air part #50120.
208/3 motors – Nu-Air part #50501.
Split motor pulley for field adjustment of fan RPM.
Motor pulley – Nu-Air part #50083.

BLOWERS

2 x DWDI 810 belt drive blowers. Nu-Air Part #50071.
Standard airflow belt size: B38. Nu-Air Part #B38.
Blower pulley – Nu-Air part #50127.
**If factory set to lower airflow, contact factory for belt & Pulley sizes.*

CABINET

The case is constructed of 22 Ga galvanized steel that is fully insulated with 1” foil faced fibreglass insulation.
Drain connections: 1/2”(2). Nu-Air drain fitting part #50362.
Cabinet Dimensions: 64”L x 38”H x 30”W.
Duct connections: 24” x 12”.

CONFIGURATION

Available in standard ‘C’ or reverse ‘G’ configuration. See drawings.

DEFROST METHOD

Model **NU2200FP** – Supply fan shuts down while exhaust air defrosts core.

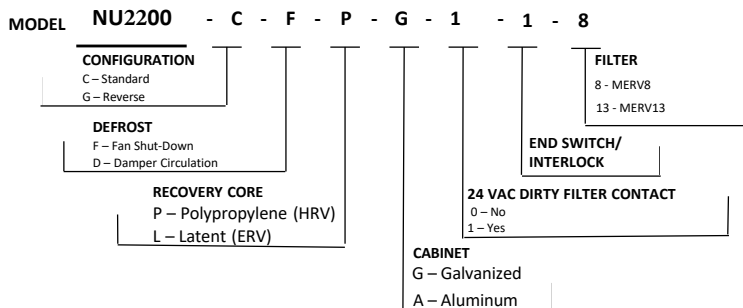
WEIGHT –400lbs/181.4kg **SHIPPING WEIGHT** –400lbs/181.4kg

FILTERS

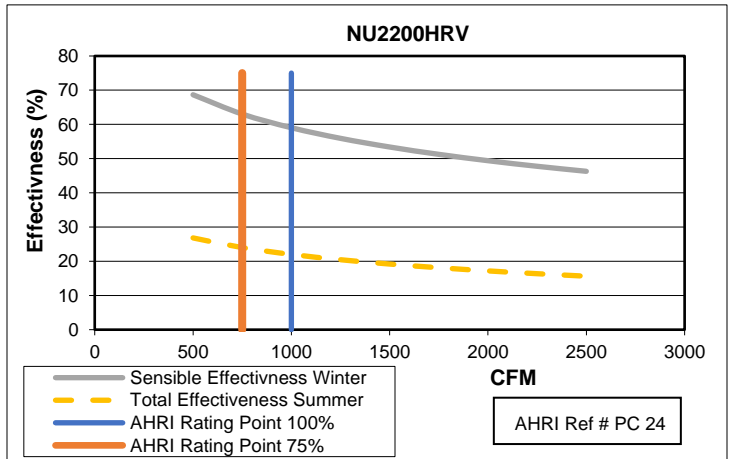
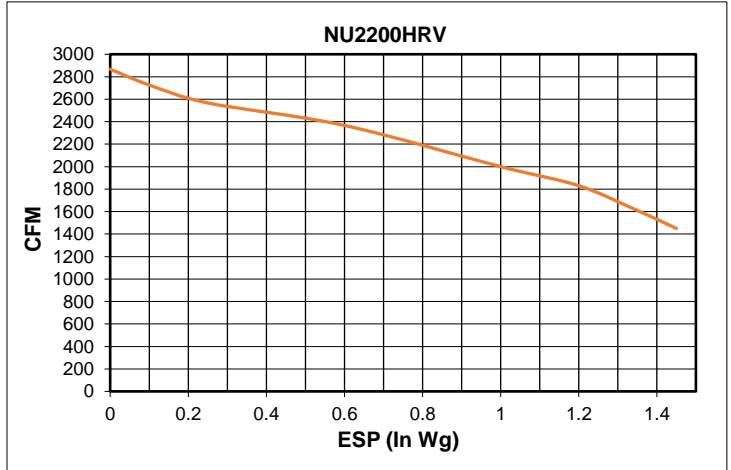
2 Filters @ 12” x 24” x 1” & 2 Filters @ 16” x 24” x 1”.
1” pleated MERV8 filters in supply and exhaust airstreams.
MERV13 filter upgrade available upon request.
Dirty filter contacts available upon request.

Filter	Type	Part #'s	Qty
MERV8	1” Pleated	50016 & 50410	2 Each
MERV13	1” Pleated	50951 & 50808	2 Each

NOMENCLATURE EXAMPLE



Distributed by:



ADDITIONAL FEATURES

- Local non-fused disconnect switch.
- Local on-off switch.
- Base rail complete with tripping brackets.

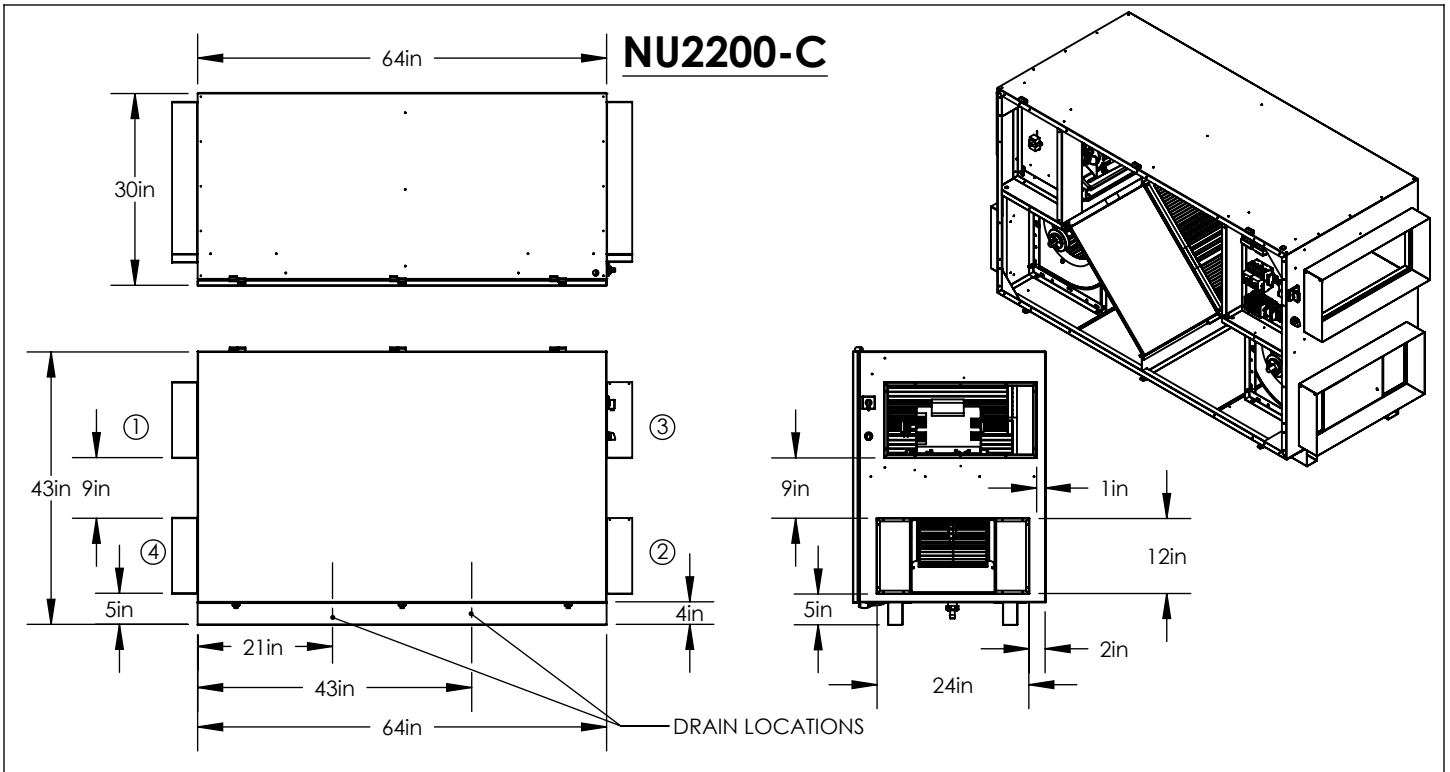
CONTROL OPTIONS

24 V controls available

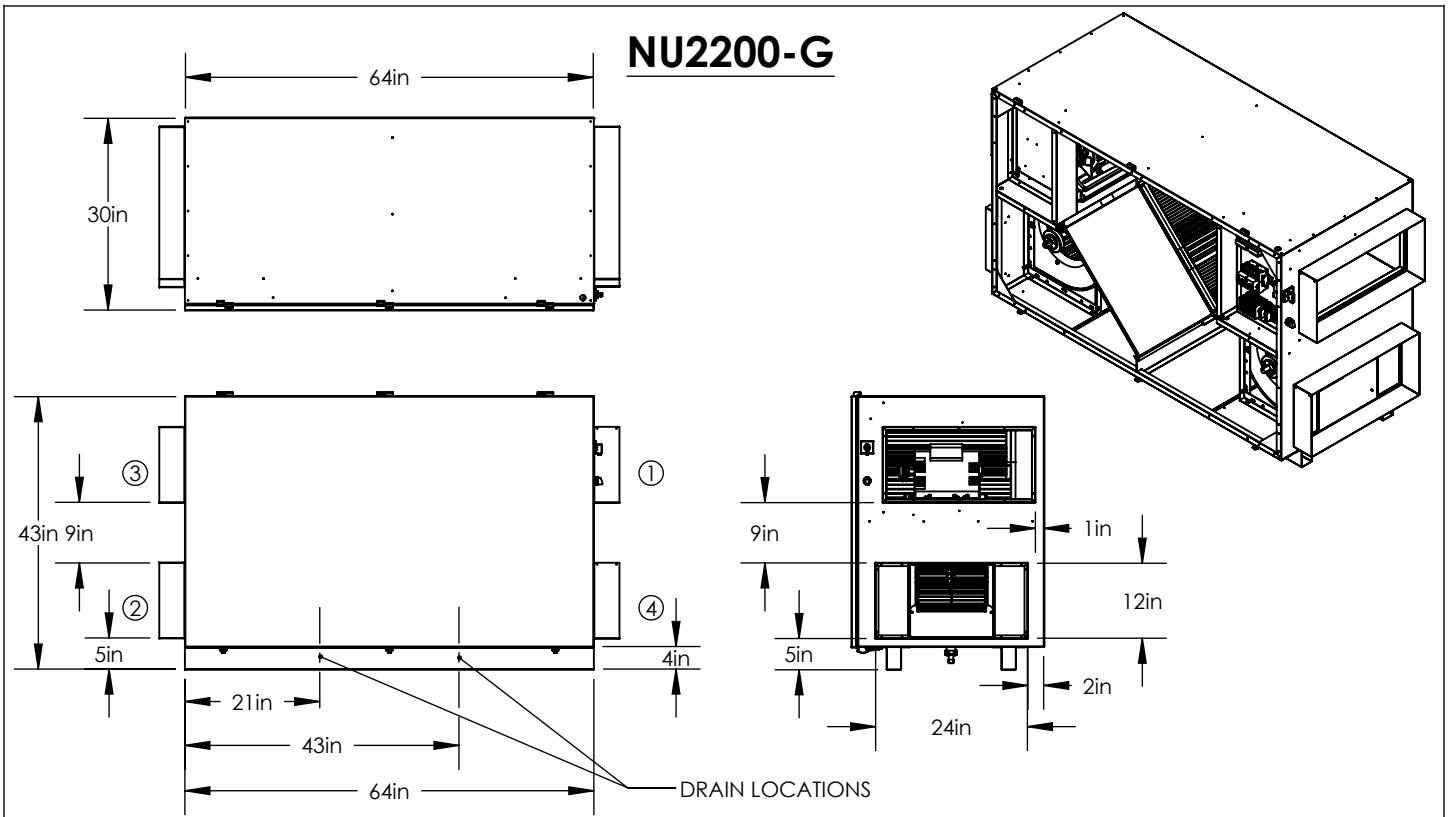
- Dstat-1 – On/Off function only.
- 50395 – Intermatic 7 day programmable timer.
- Any dry contact switch – By Others.

WARRANTY - Provided installation is in accordance with instruction, 15 year warranty on the HRV core and a 2 year warranty on replacement parts.

NU2200 CONFIGURATION DRAWINGS



1 - OUTSIDE AIR / FRESH AIR FROM OUTSIDE	2 - SUPPLY AIR / FRESH AIR TO SPACE	3 - RETURN AIR / EXHAUST AIR FROM SPACE	4 - EXHAUST AIR / EXHAUST AIR TO OUTSIDE
--	-------------------------------------	---	--



In the interest of product improvement, Nu-Air reserves the right to change specifications without notice.