



**Model: SE135E Low profile ECM ERV**

VENTILATION PERFORMANCE	
EXT. STATIC PRESSURE in wg (Pa)	NET SUPPLY AIR FLOW cfm (l/s)
0.1(25)	159(75)
0.2(50)	150(71)
0.3(75)	140(66)
0.4(100)	133(63)
0.5(125)	123(58)
0.6(150)	114(54)
0.7(175)	104(49)
0.8(200)	91(43)
0.9(225)	80(38)
1.0(250)	68(32)
1.2(300)	42(20)

ENERGY PERFORMANCE				
SUPPLY TEMP. °F (°C)	NET AIR FLOW cfm (l/s)	AVERAGE POWER Watts	SENSIBLE RECOVERY EFFICIENCY	ADJUSTED SENSIBLE RECOVERY EFFICIENCY
+32 (0)	42 (20)	22	80	83
+32 (0)	53 (25)	26	78	82
+32 (0)	63 (30)	32	76	81
-13 (-25)	53 (25)	30	55	60
			Total Recovery Efficiency	Adjusted Total Recovery Efficiency
95 (35)	53(25)	30	50	52



**CABINET/CORE:** Collar size: 5-inch (127mm). The case is constructed of 0.032 painted aluminum with a white enamel finish. The cabinet is fully insulated with polystyrene. The unit is equipped with a cross-flow core that recovers both sensible and latent energy. Shipping weight: 22 lb (10 kg).

**MOUNTING:** Mount horizontally or vertically. Adjustable hanging straps *and* steel mounting brackets supplied. 4 ft grounded power cord. Minimum clearance of 12 inches recommended for removal of ERV core; 6 inches for control access. **Drain is not required.**

**CERTIFICATION:** cCSAus, C22.2, HVI **ELECTRICAL:** 120V/1/60 Hz. 140W, 1.2A

**BLOWERS:** Two backward curve impellers with *EC motors. Fan efficacy 2 cfm/watt*

**ADDITIONAL FEATURES:**

- **Reversible out of the box (patented) so fits the 4 most-common duct arrangements with one unit.**
- Only 9 inches deep
- Furnace/Air handler interlock
- Intelligent Defrost: duration and interval adjust to outdoor conditions below -5° C (23° F)
- Balancing: differential pressure ports on door allow air measurements without flow grid in ductwork. Independent speed adjustment of either supply or exhaust motor in BOTH high and low speed. Balancing dampers not required.
- 24 V circuit protection with self-resetting fuse
- Washable MERV 6 air filters

**CONTROLS:**

12 VDC	24 VAC
<b>Lumina (NAV-561):</b> Low speed, high speed, intermittent, 20/40 standby, 20-40-60 minute timer, filter service alert (clock)  <b>Legacy Controls (retrofit/replacement applications)</b> <b>ES-M1, ES-M2</b> <b>ES-T1:</b> 20-40-60-minute high speed timer	<b>*NAV-460:</b> 20-40-60 minute high speed timer (up to 5) <b>DSTAT-1:</b> Humidity control <b>Win-1:</b> Humidity control/ OFF/ STBY/ Continuous/ Intermittent/ Full-time high speed <b>WIN-20:</b> 20-minute high speed timer (up to 6) <b>Also: 24 VAC, dry contacts for 3<sup>rd</sup> party switches</b> <b>*NAV-460 not compatible with ES-T1, WIN-20 timers</b>

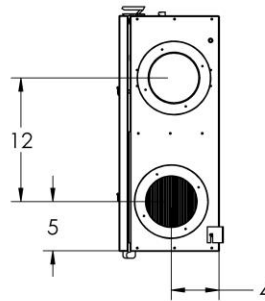
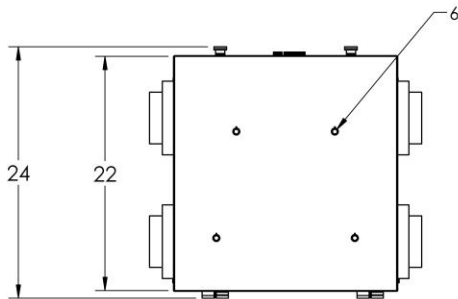
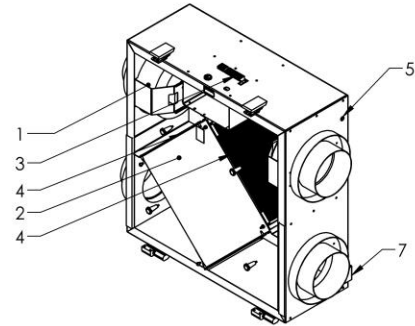
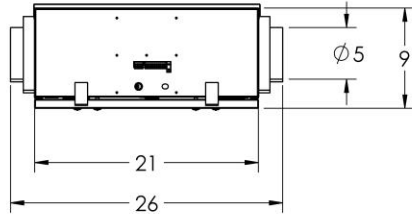
**Defrost:** 4-stages of supply fan interruption varied by outdoor temperature.

**Warranty:** There is a 5-year warranty on all internal components. The heat recovery core has a 5-year warranty.



## Model: SE135E ERV

Item	Feature
1	ECM Backward Curved Impellers (2)
2	Cross Flow Enthalpy Core
3	Control Terminal
4	Filters
5	Hanging mounts
6	Balancing Ports
7	Mounting Bracket



The airflow configuration is reversible out of the box without any installer intervention.